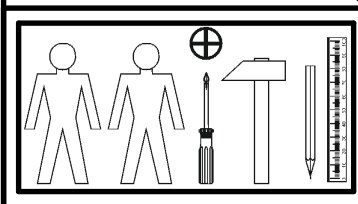
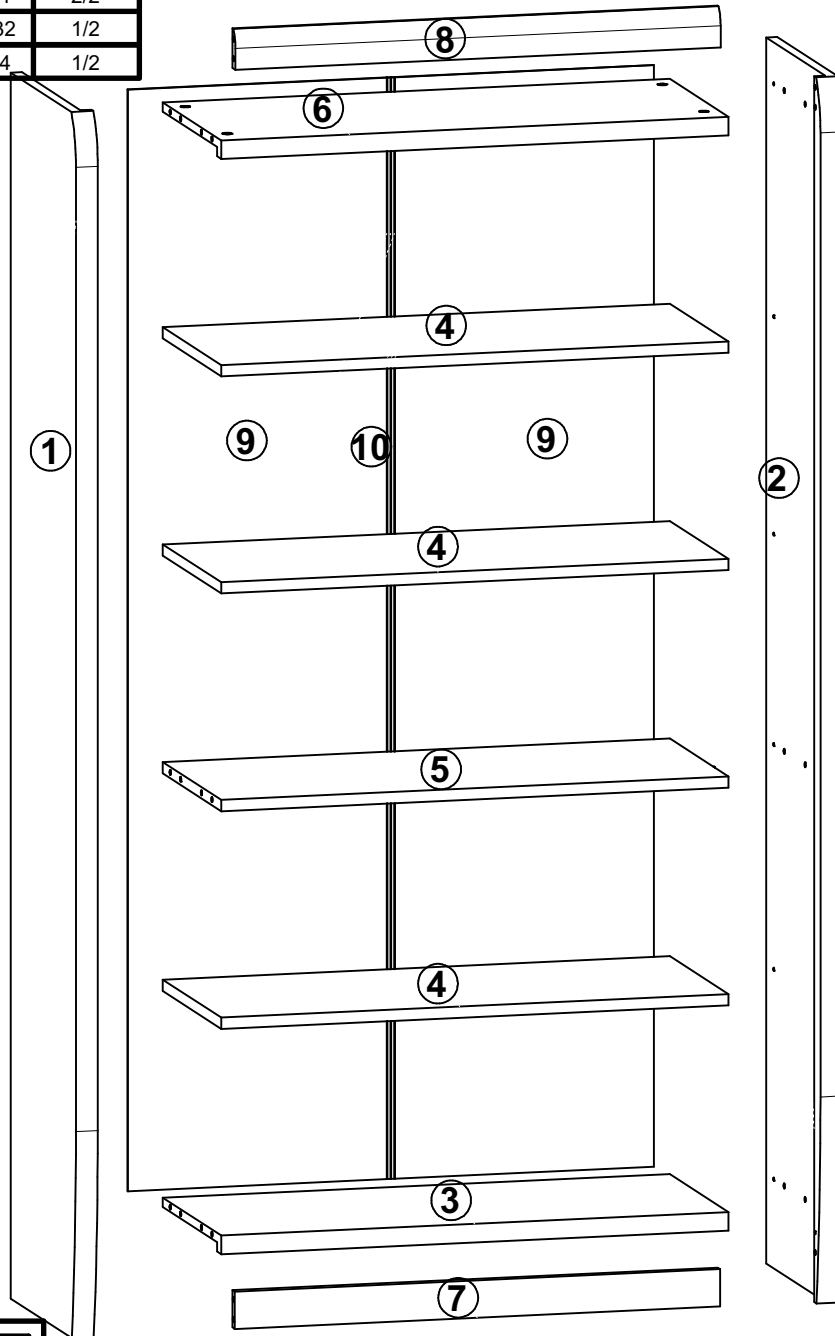
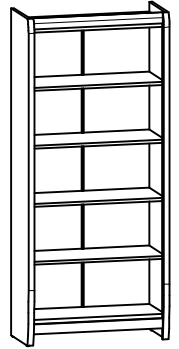


LOREN

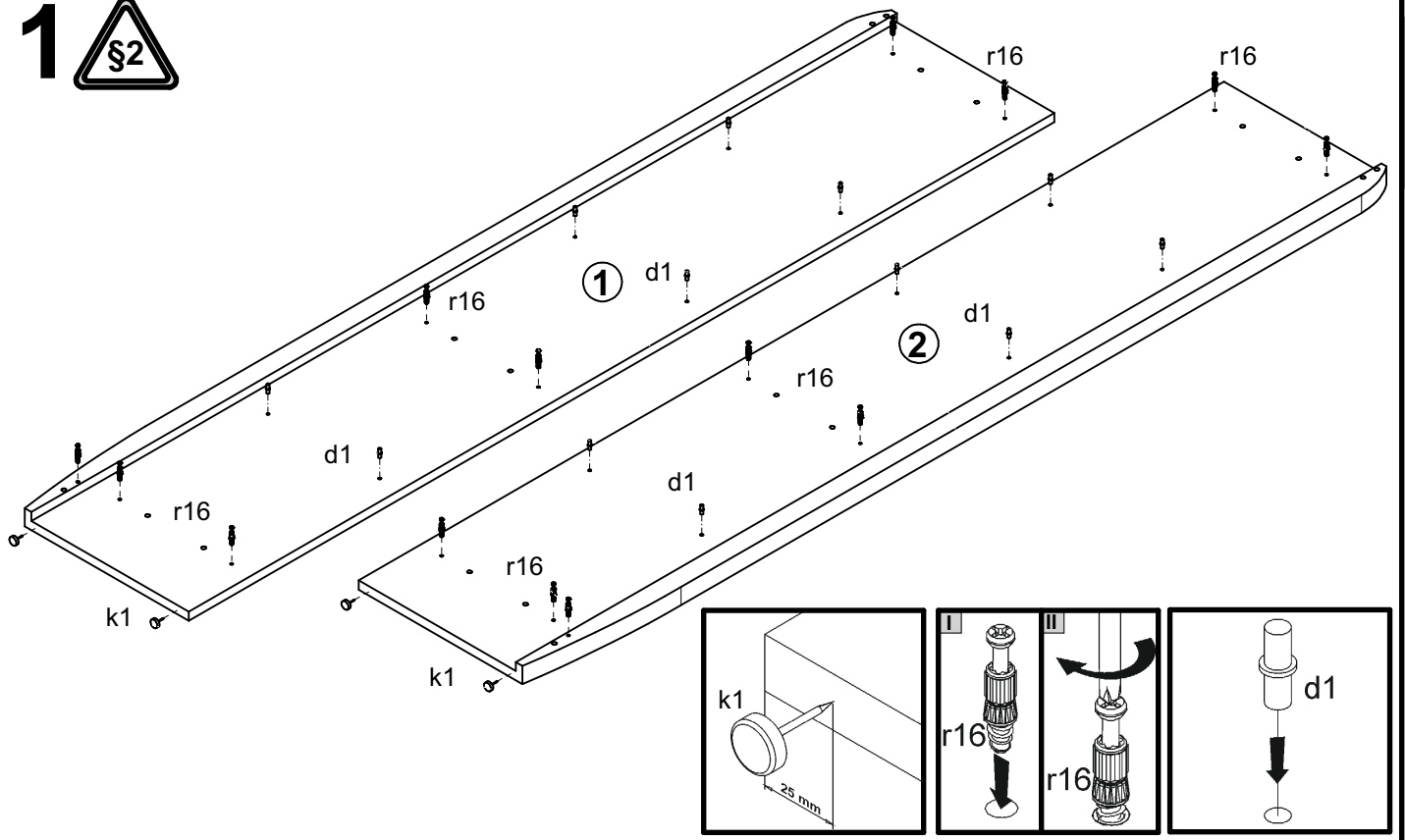
S163-REG/87

| A | B | C | D |
|----|------------|------|-----|
| 1 | S163-1129 | 1980 | 400 |
| 2 | S163-1130 | 1980 | 400 |
| 3 | S163-3326 | 834 | 359 |
| 4 | S163-327 | 834 | 359 |
| 5 | S163-328 | 834 | 359 |
| 6 | S163-3337 | 834 | 359 |
| 7 | S163-4403 | 798 | 60 |
| 8 | S163-506 | 798 | 64 |
| 9 | S163-91905 | 1779 | 432 |
| 10 | Lh-1749 | 1749 | 14 |

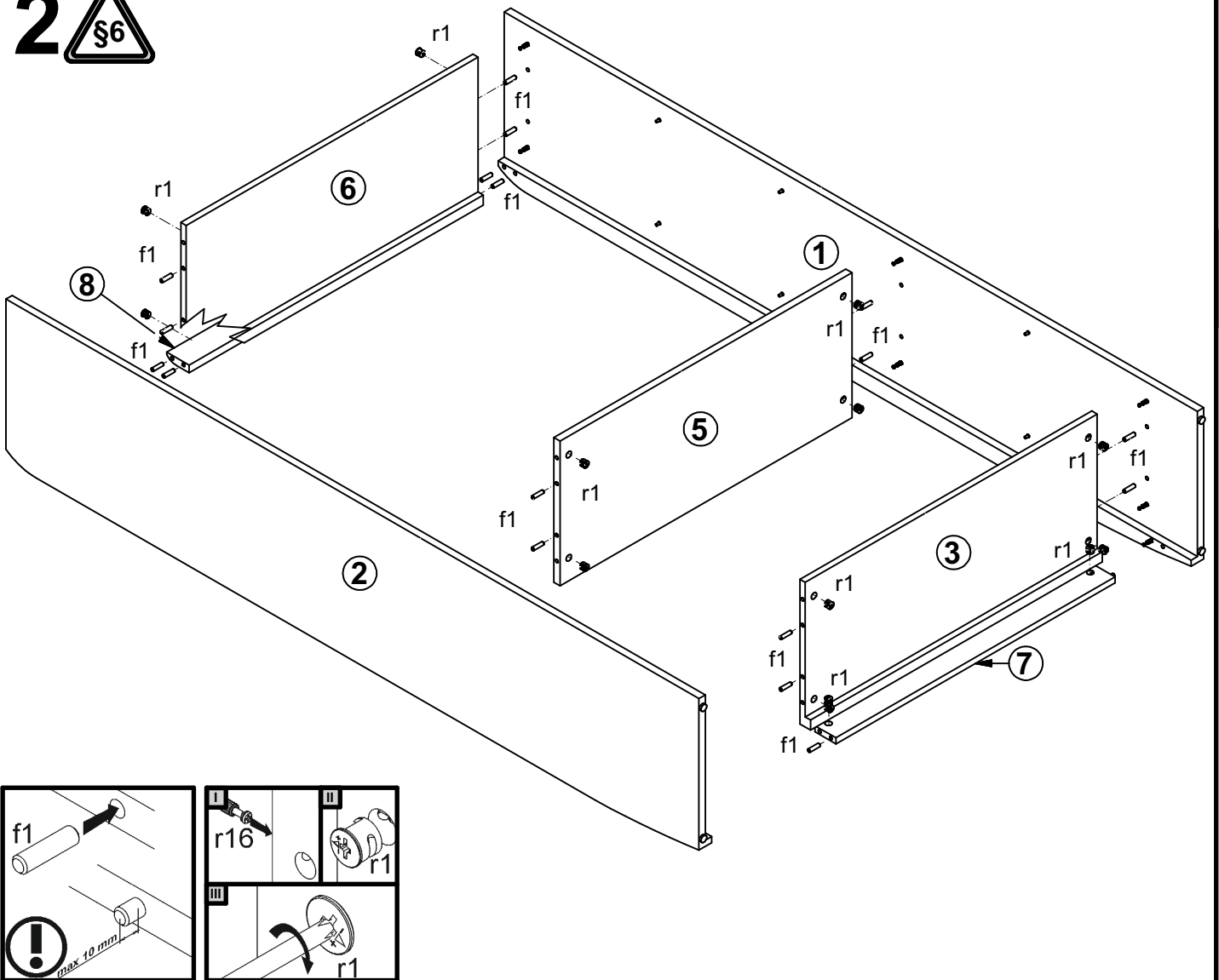


- 12x $\phi 5 \times 17 \text{ mm}$ **d1**
- 18x $\phi 8 \times 30 \text{ mm}$ **f1**
- 4x **k1**
- 60x **l1**
- 14x $\phi 15 \times 12 \text{ mm}$ #16 **r1**
- 14x **r16**
- 1x **n2611**
- 1x $\phi 3,5 \times 16 \text{ mm}$ **p38**

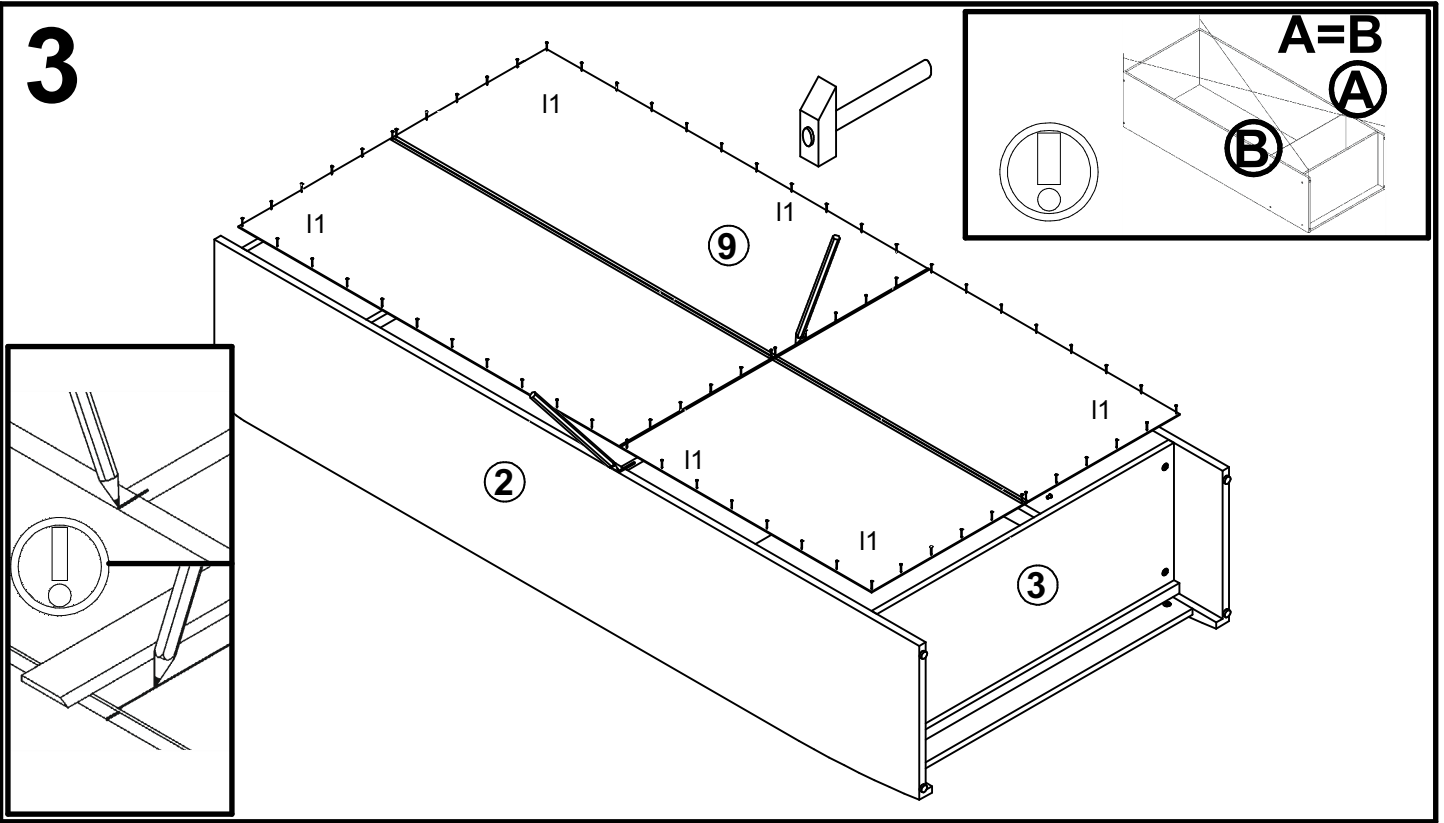
1



2



3



4

