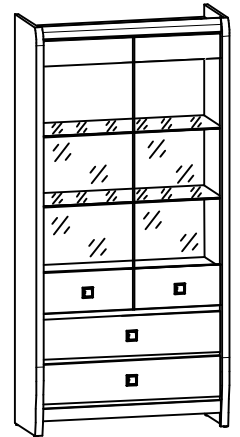
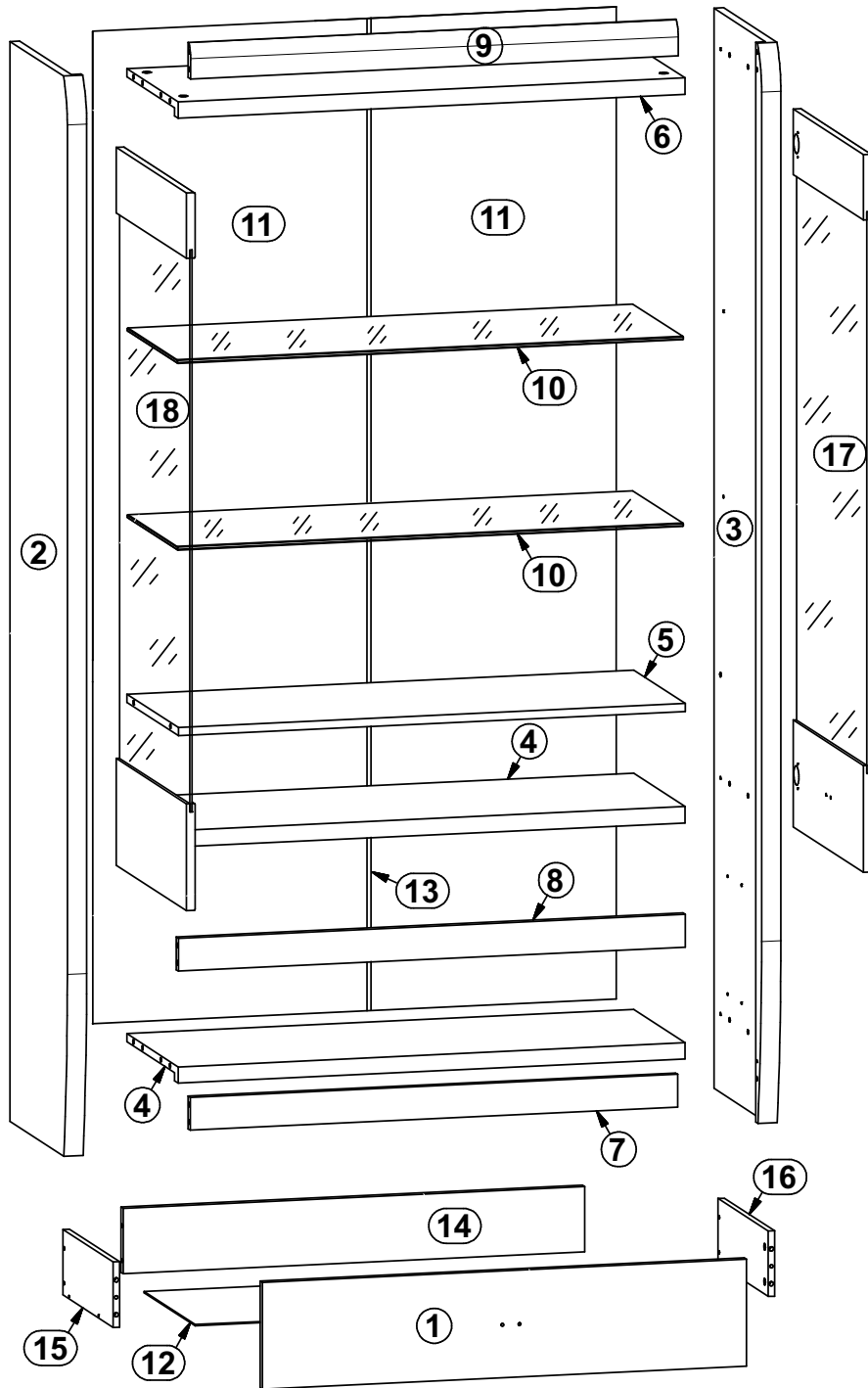
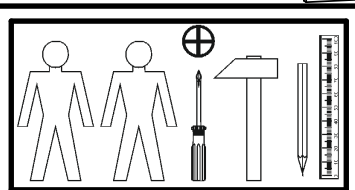


LOREN 2

S163-REG2W2S

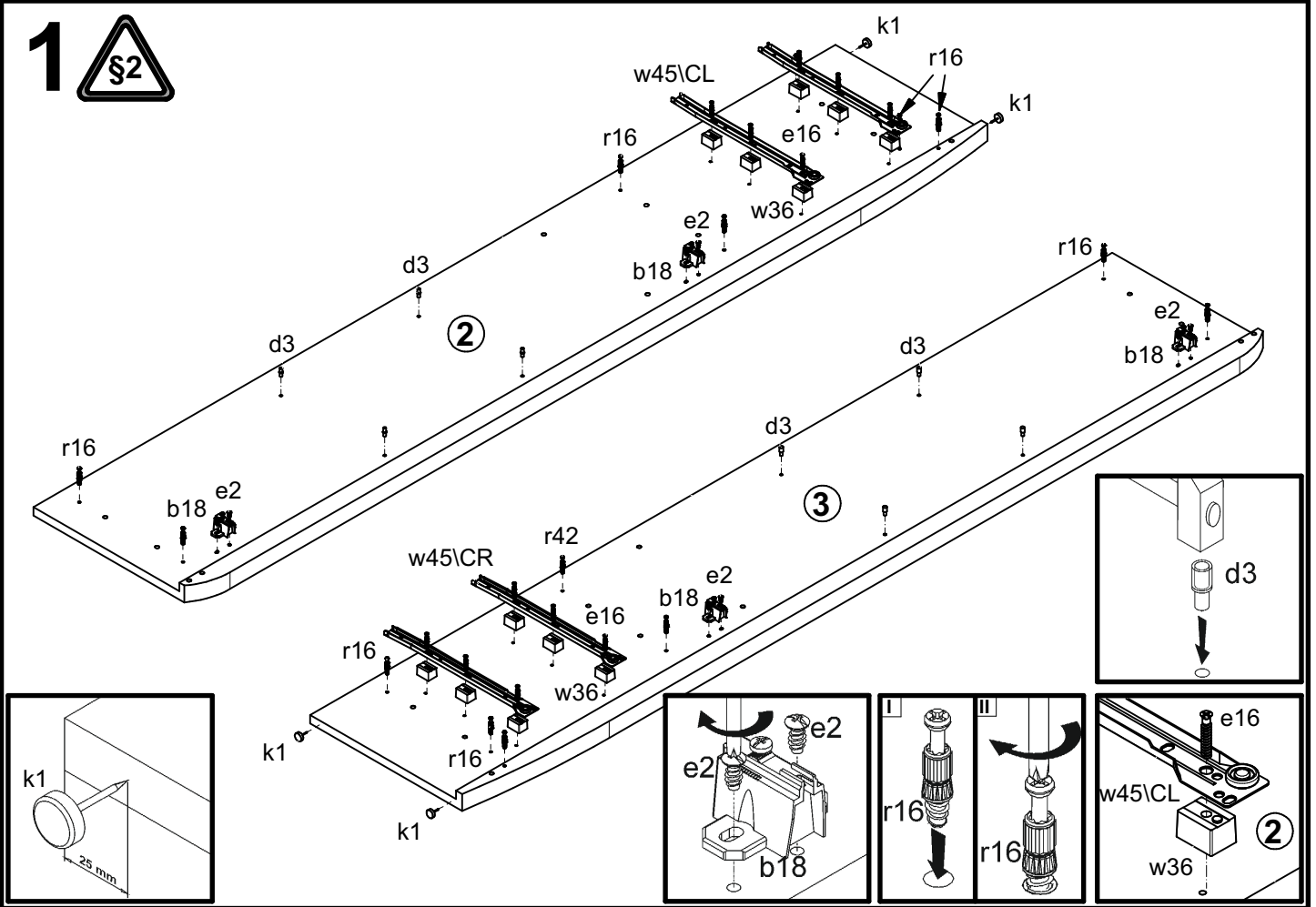


A	B	C	D	
1	S163-0009A	792	196	4/5
2	S163-1103	1980	400	1/5
3	S163-1104	1980	400	1/5
4	S163-3326	834	359	2/5
5	S163-3353	834	359	2/5
6	S163-3337	834	359	2/5
7	S163-4403	798	60	2/5
8	S163-4409	834	60	2/5
9	S163-506	978	64	2/5
10	S163-554	832	350	3/5
11	S163-91905	1779	432	1/5
12	S163-9933	771	355	2/5
13	Lh-1749	1749	16	1/5
14	ZB-5516	741	120	2/5
15	BB-501	350	120	2/5
16	BB-502	350	120	2/5
17	S163-0055A	1316	389	5/5
18	S163-0056A	1316	389	5/5

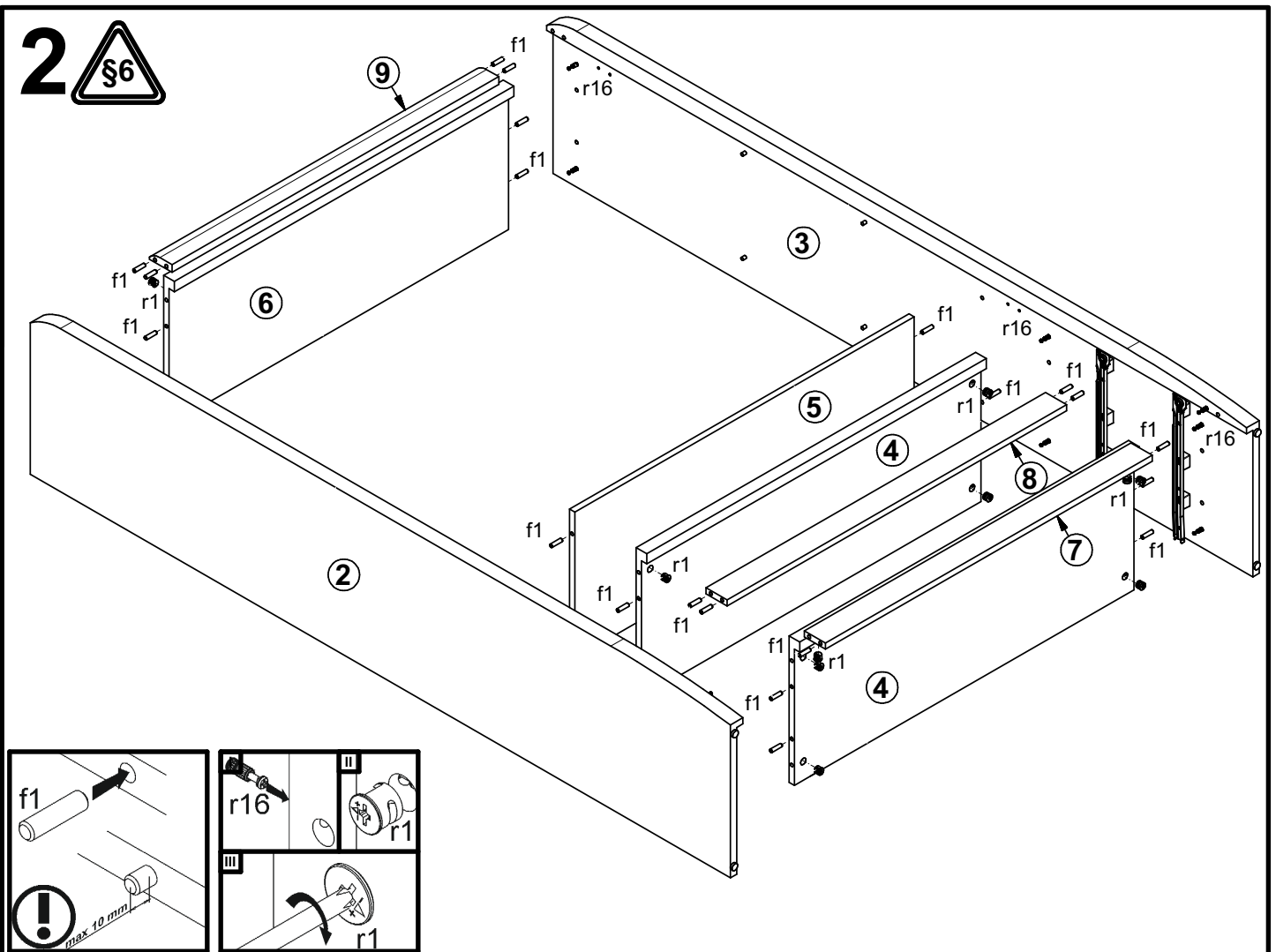


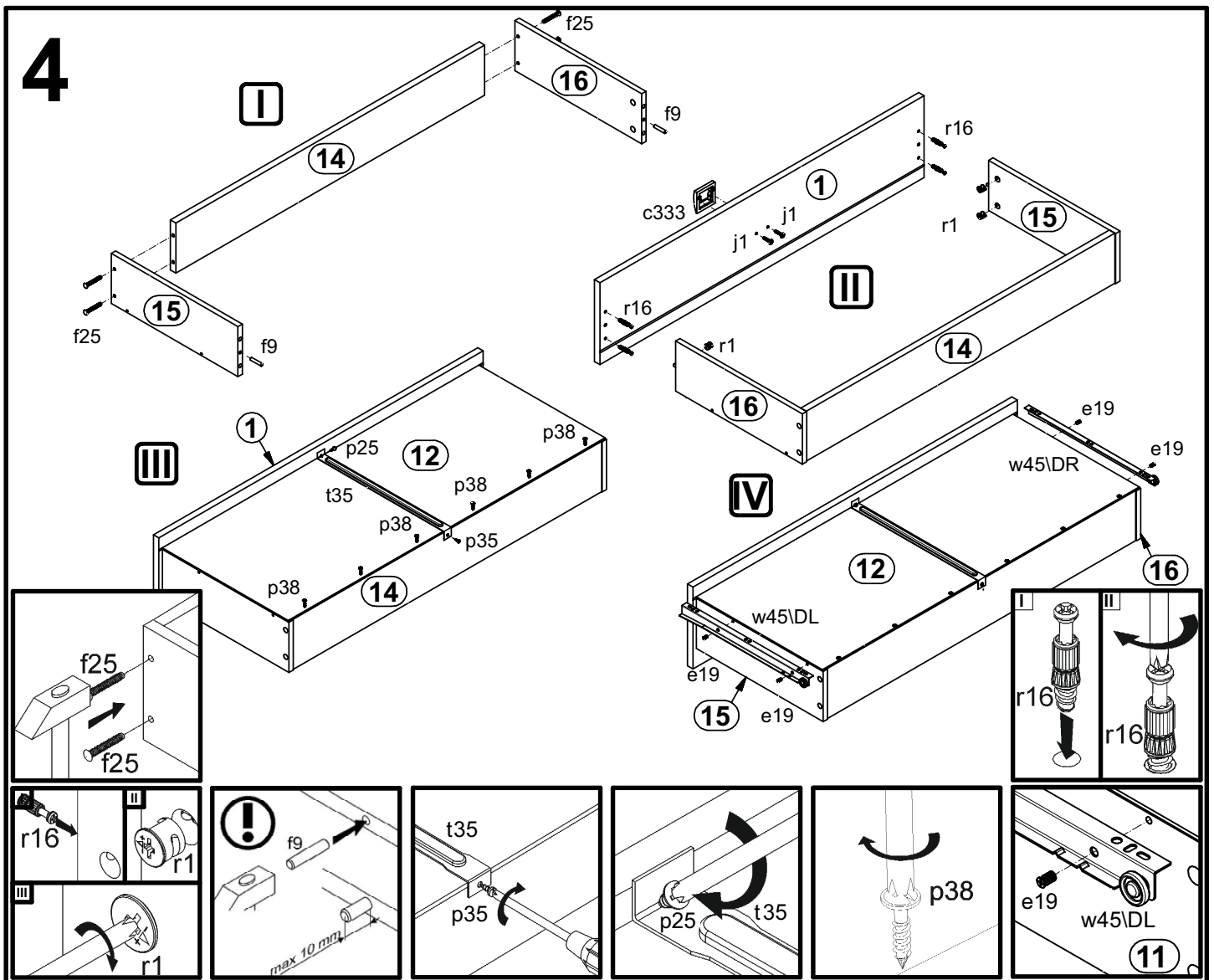
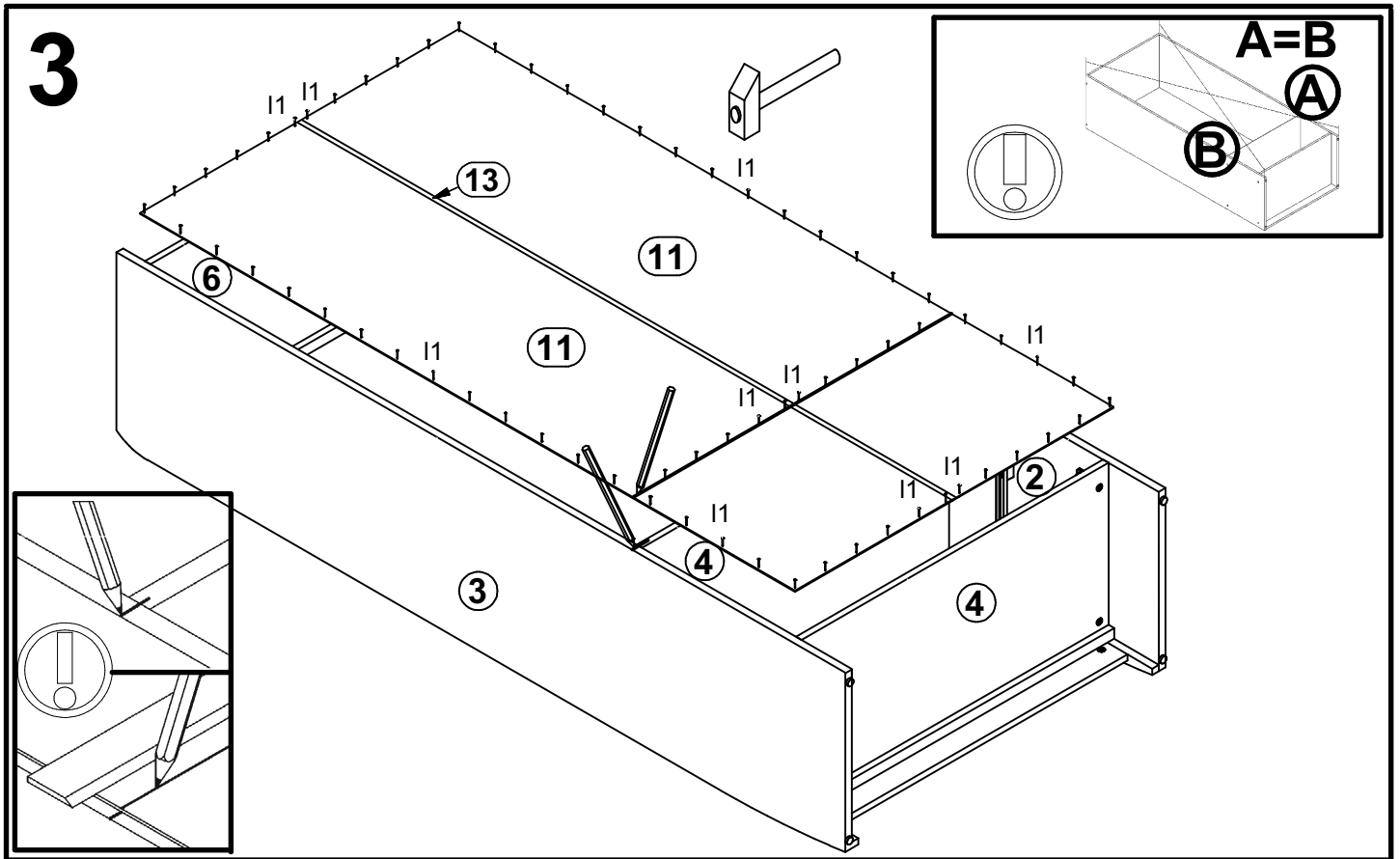
4x a43	4x b18	4x c333	8x Ø5x17 mm d3	12x Ø6x30 mm e16	8x Ø6x9 mm e19	8x Ø6,3x13 mm e2	26x Ø6x30 mm f1	4x Ø6x30 mm f9
8x Ø6,5x40 mm f25	8x M4x20 mm j1	4x k1	70x l1	2x Ø3,5x16 mm p25	2x Ø3,5x10 mm p35	13x Ø3,5x16 mm p38	8x Ø3,5x15 mm p51	22x Ø1,5x12 mm #16 r1
2x 350 mm t35	22x r16	12x H=18 mm w36	2x 350 mm w45ICL	2x 350 mm w45ICR	2x 350 mm w45IDL	2x 350 mm w45IDR	1x n2611	

1



2





5

