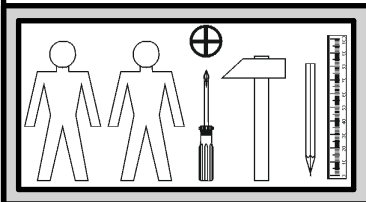
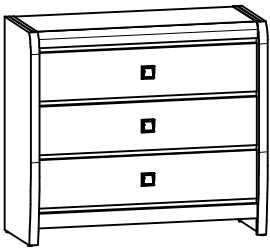
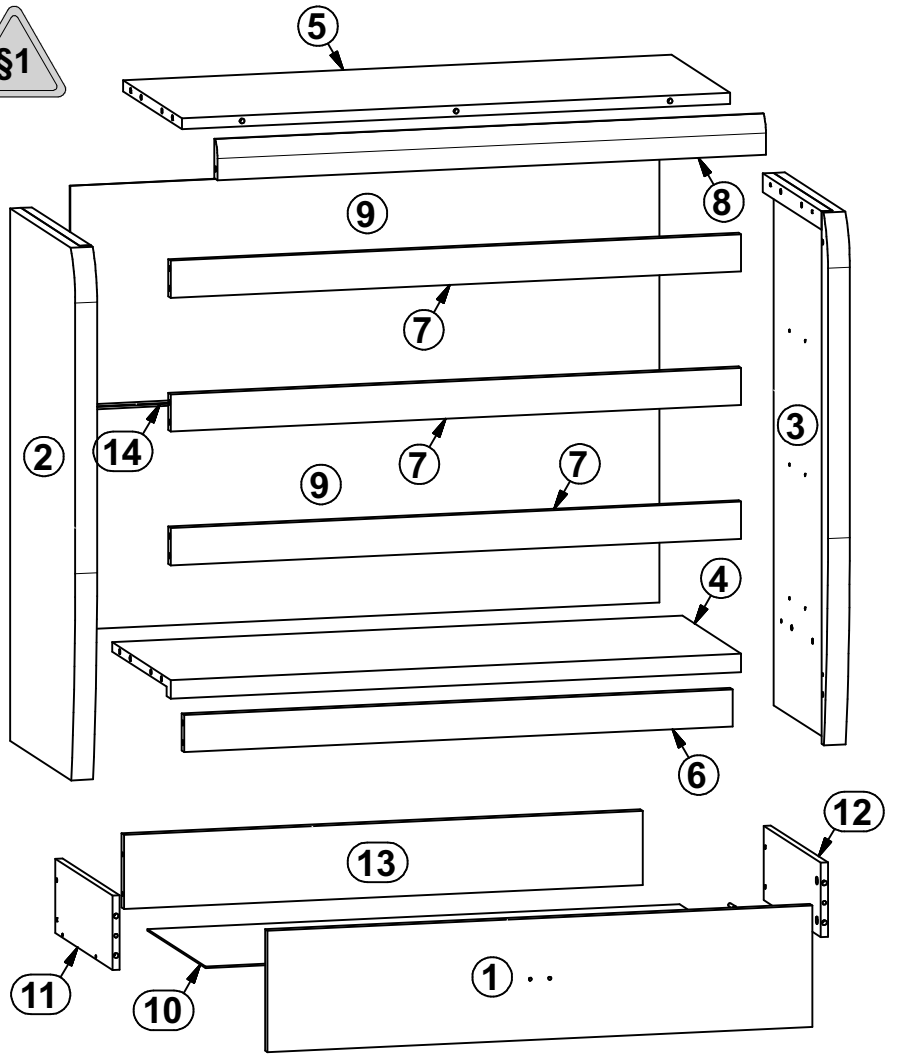


LOREN 2

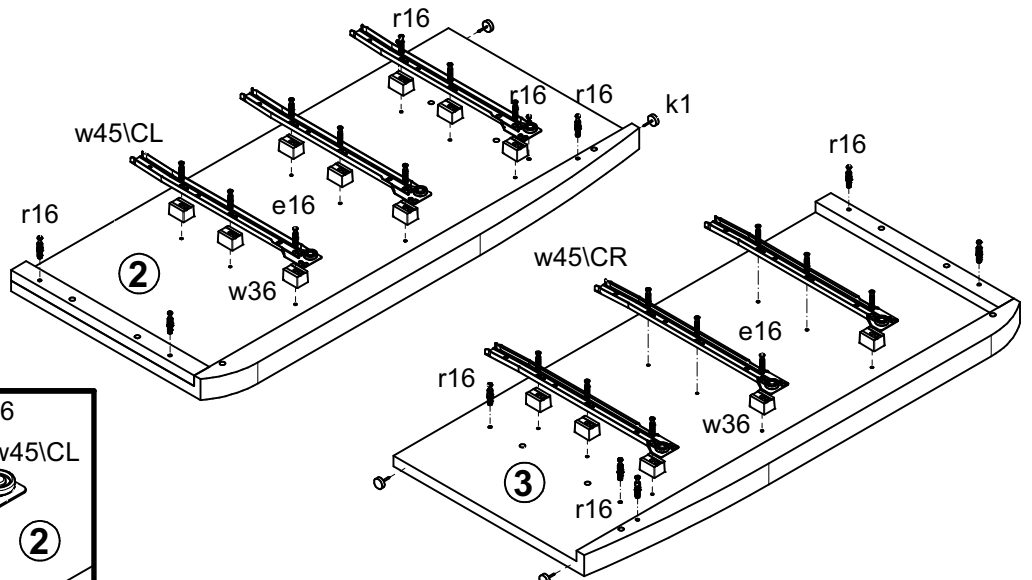
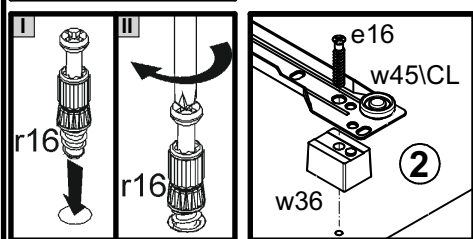
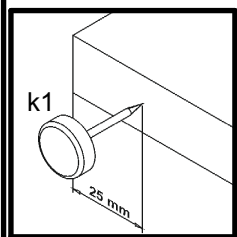
S163-KOM3S

A	B	C	D	
1	S163-0003A	896	196	2/2
2	S163-1105	860	400	1/2
3	S163-1106	860	400	1/2
4	S163-3301	938	359	1/2
5	S163-304	902	360	1/2
6	S163-4404	902	60	1/2
7	S163-4405	938	60	1/2
8	S163-503	902	64	1/2
9	S163-91902	969	717	1/2
10	S163-9904	875	355	1/2
11	BB-501	350	120	1/2
12	BB-502	350	120	1/2
13	ZB-5513	845	120	1/2
14	Lh-939	939	14	1/2

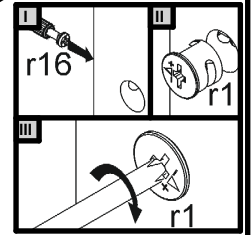
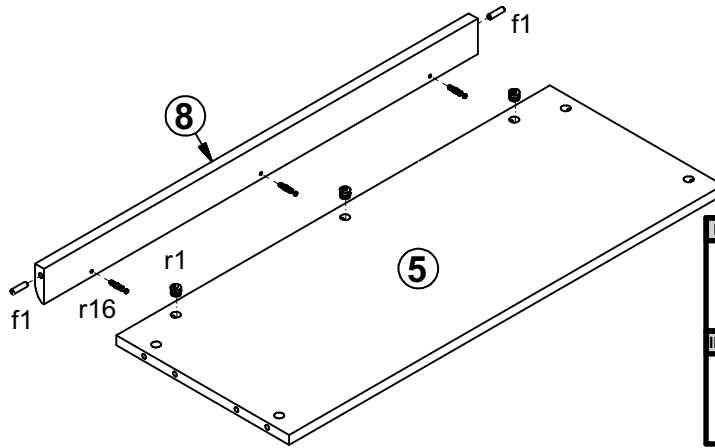
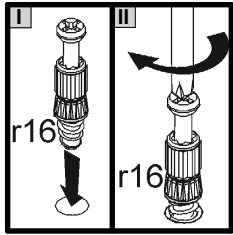
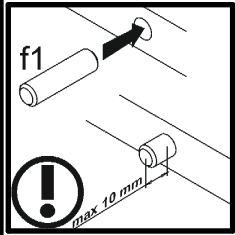


3x c333	18x Ø6x30 mm e16	12x Ø5x9 mm e19	24x Ø8x30 mm f1	6x Ø6x30 mm f9	12x Ø6.5x40 mm f25	6x M4x20 mm j1	4x k1	40x l1
3x Ø3.5x16 mm p25	3x Ø3.5x10 mm p35	18x Ø3.5x16 mm p38	25x Ø15x12 mm #16 r1	25x r16	3x 350 mm t35	18x H=18 mm w36	3x 350 mm w45\CL	
3x 350 mm w45\CR	3x 350 mm w45\DL	3x 350 mm w45\DR	1x n2611	1x Ø3.5x16 mm p38				

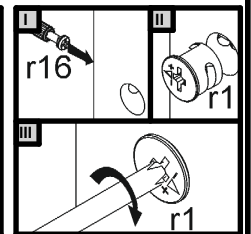
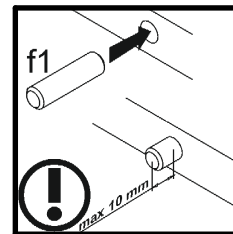
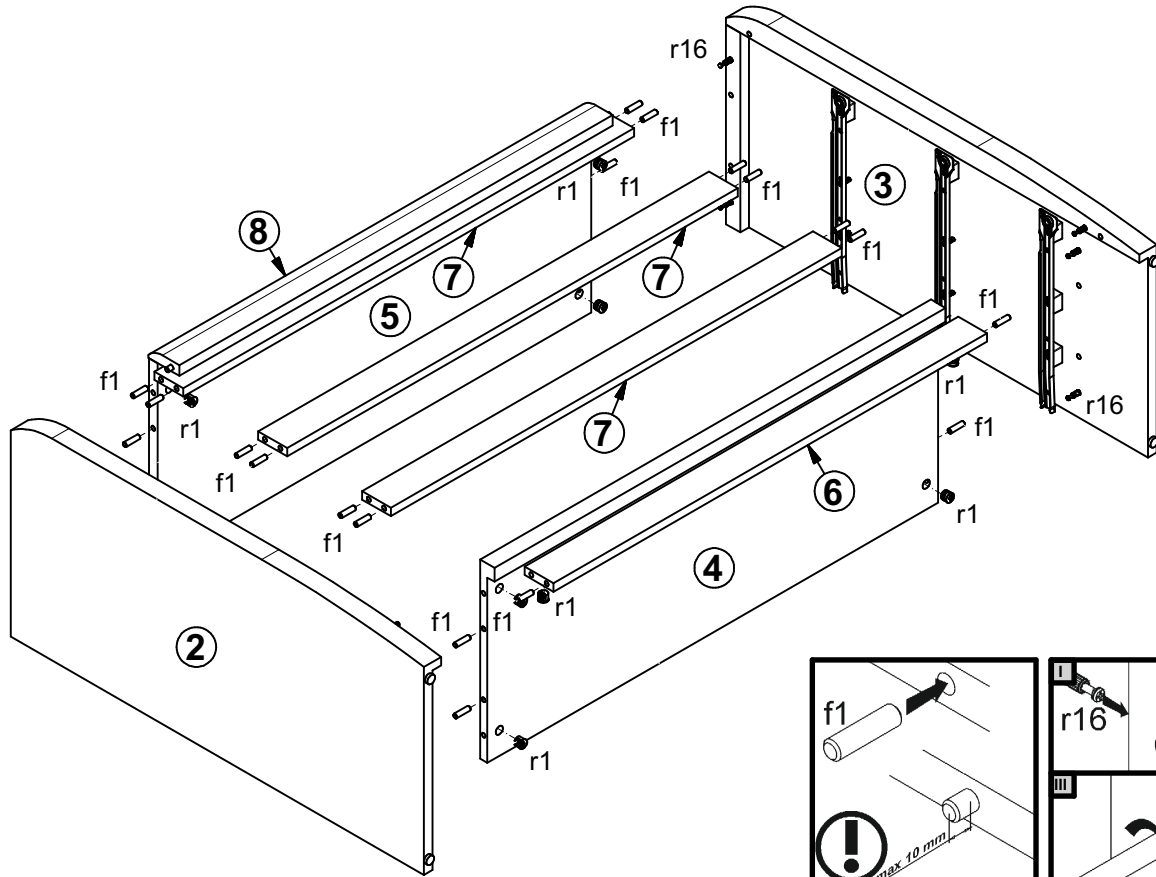
1



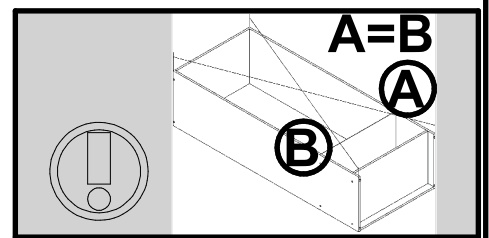
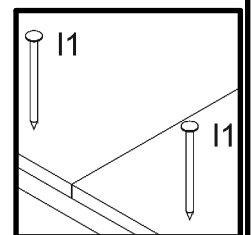
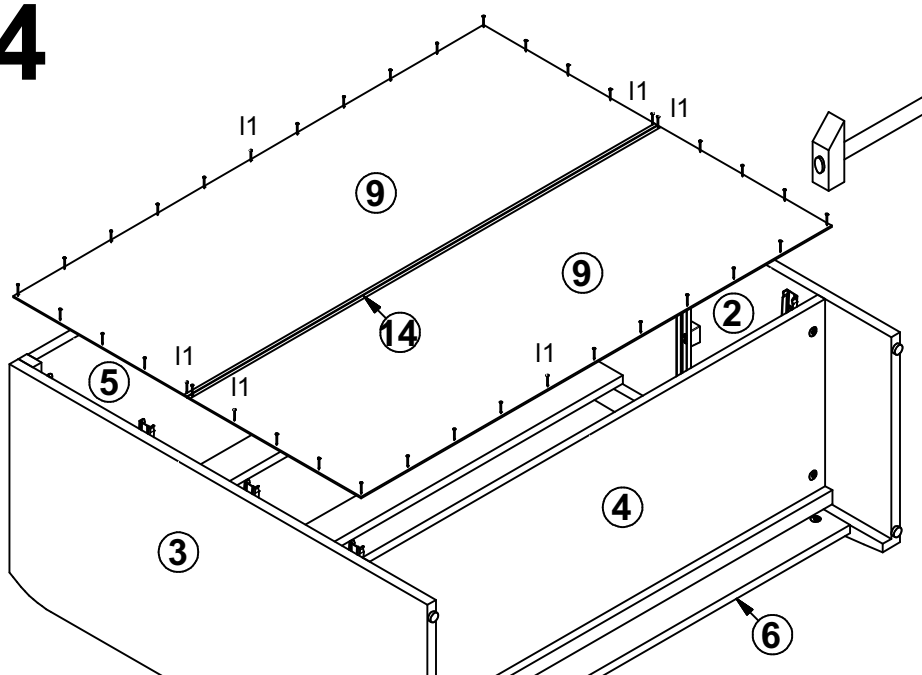
2



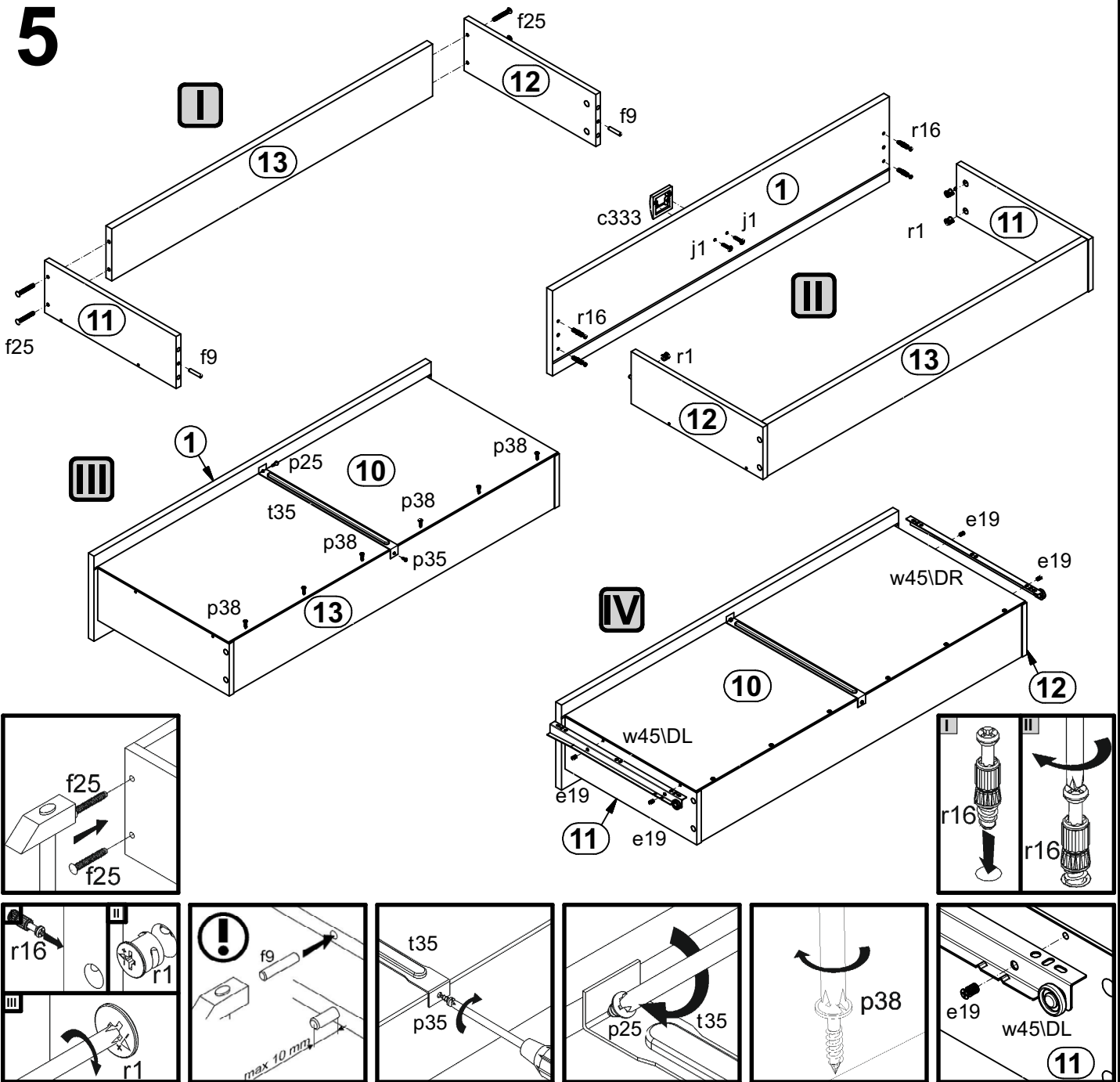
3



4



5



6

