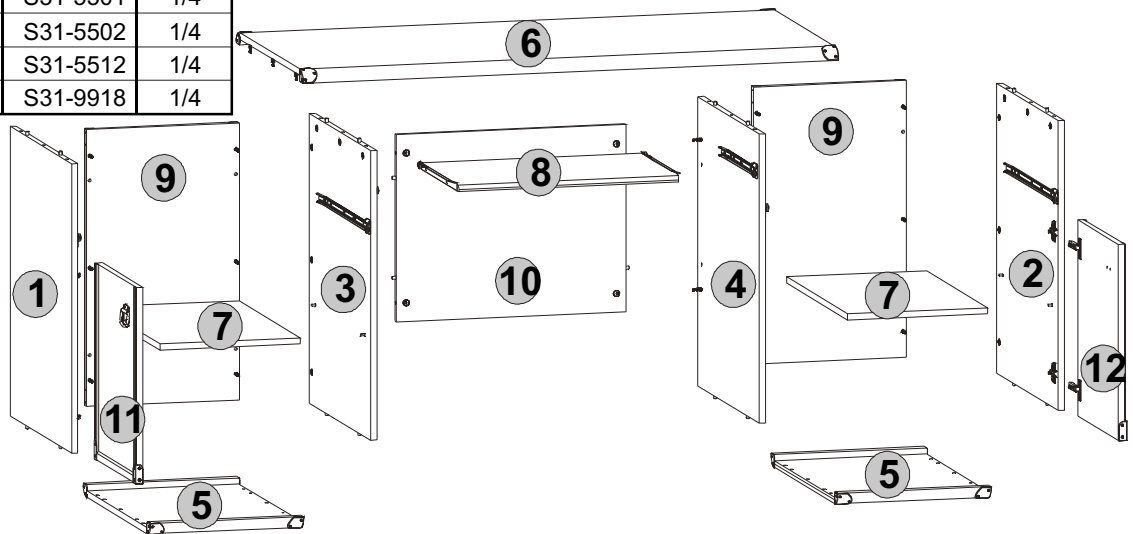
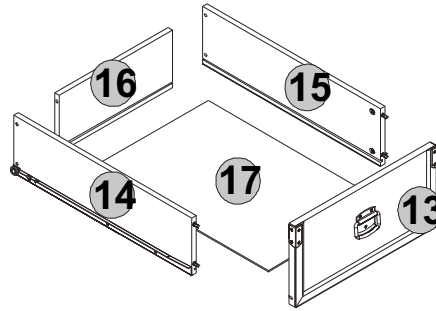
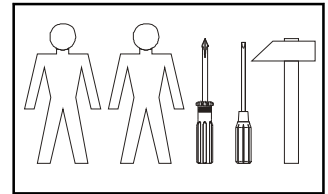


INDIANA 2

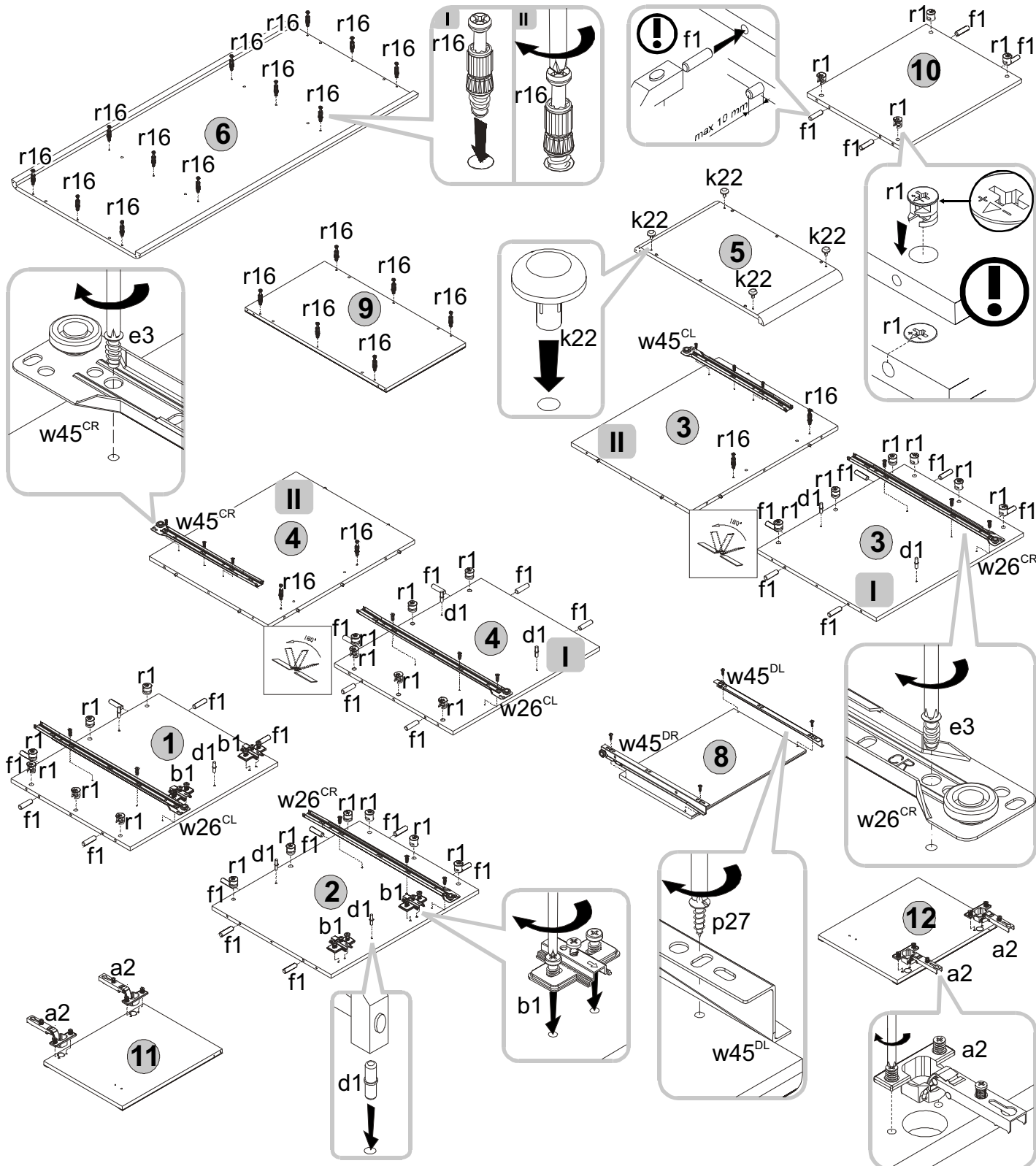
JBIU 2d2s

A	C	B	D
1	742x600	S31-125	1/4
2	742x600	S31-126	1/4
3	742x600	S31-127	1/4
4	742x600	S31-128	1/4
5	400x650	S31-220	2/4
6	1400x650	S31-221	3/4
7	367x595	S31-316	1/4
8	576x365	S31-317	1/4
9	710x400	S31-401	4/4
10	601x480	S31-402	1/4
11	503x396	S31-023	4/4
12	503x396	S31-024	4/4
13	396x196	S31-0022	4/4
14	500x140	S31-5501	1/4
15	500x140	S31-5502	1/4
16	310x140	S31-5512	1/4
17	320x498	S31-9918	1/4

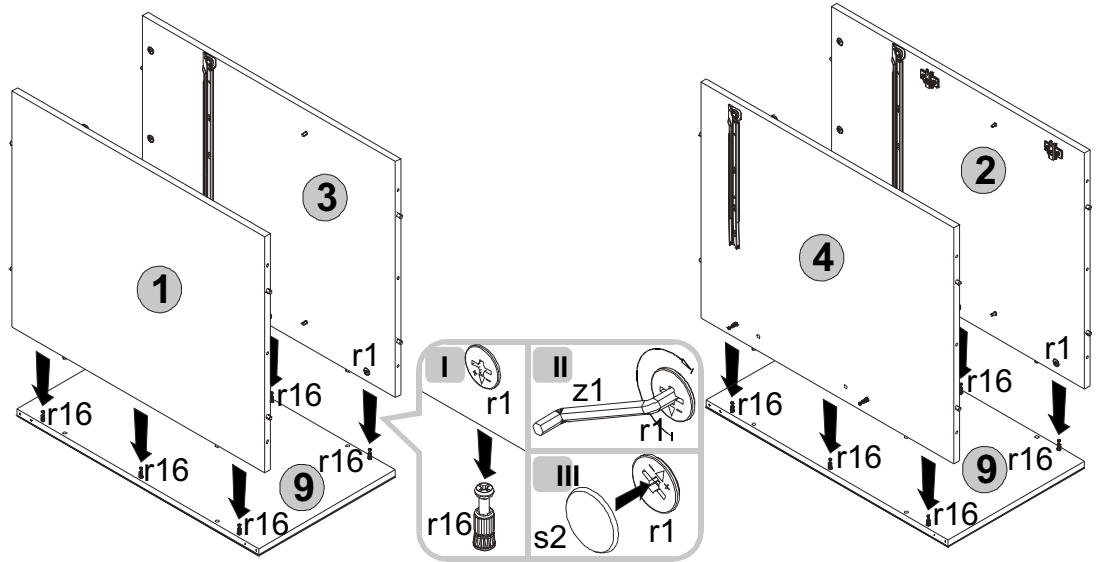


4x a2	4x b1	4x c158	8x φ5x17 mm d1	12x φ7x50 mm e1	18x φ6x13 mm e3	12x φ5x9 mm e19	28x φ8x30 mm f1
8x φ6.5x40 mm f25	8x M4x22 mm j30	8x φ15 k22	12x l27	8x l28 ^L	8x l28 ^P	4x φ3.5x13 mm p27	56x φ3x12 mm p83
36x φ15x12mm #16 r1	36x r16	16x ø16 s2	2x 500 mm w26 ^{CL}	2x 500 mm w26 ^{CR}	2x 500 mm w26 ^{DL}	2x 500 mm w26 ^{DR}	
1x 350 mm w45 ^{CL}	1x 350 mm w45 ^{CR}	1x 350 mm w45 ^{DL}	1x 350 mm w45 ^{DR}	1x z1			

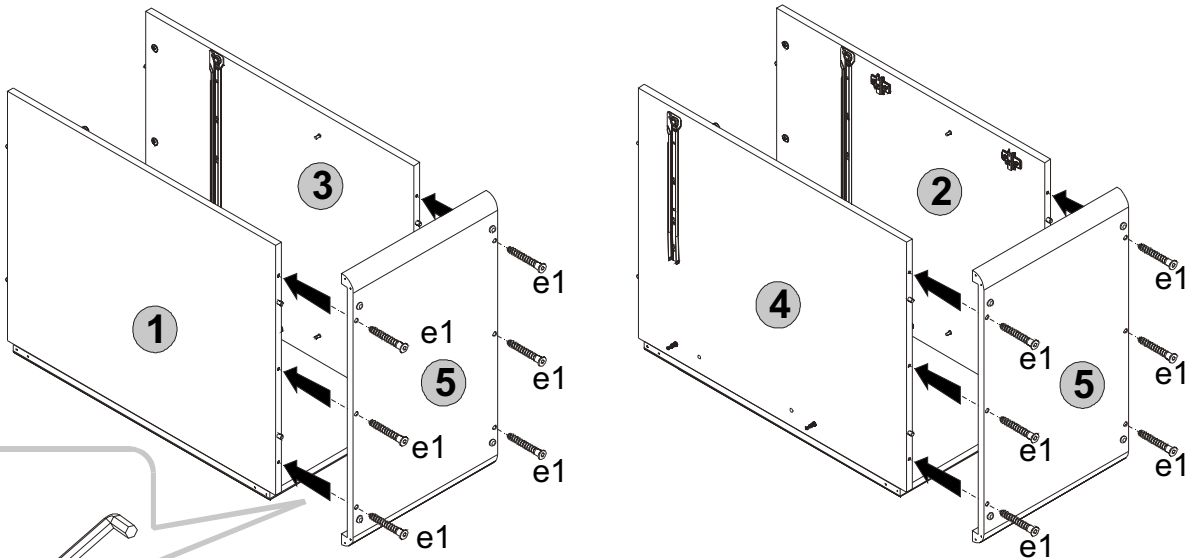
1



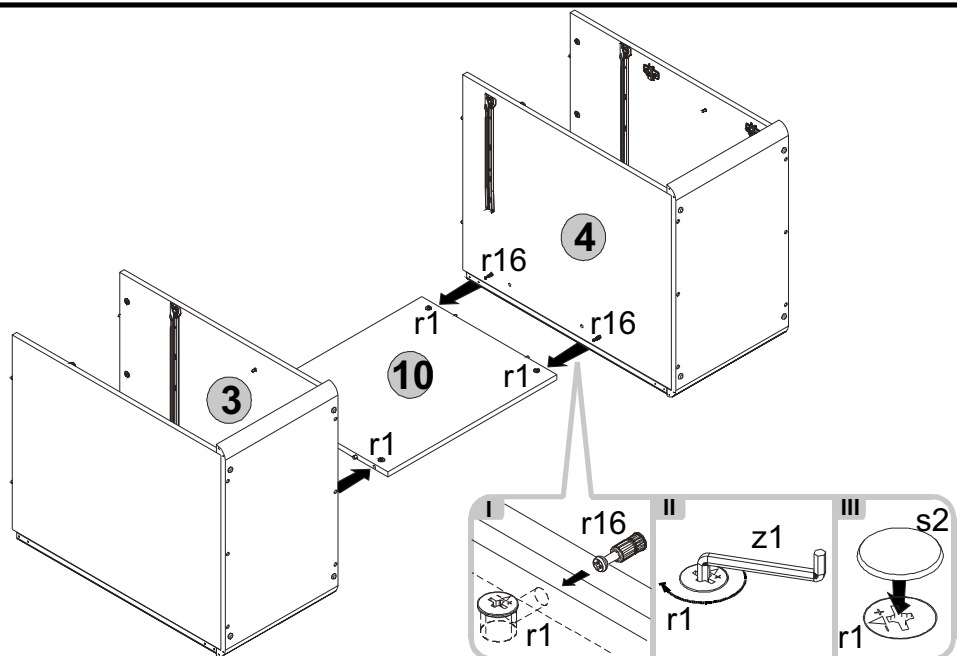
2

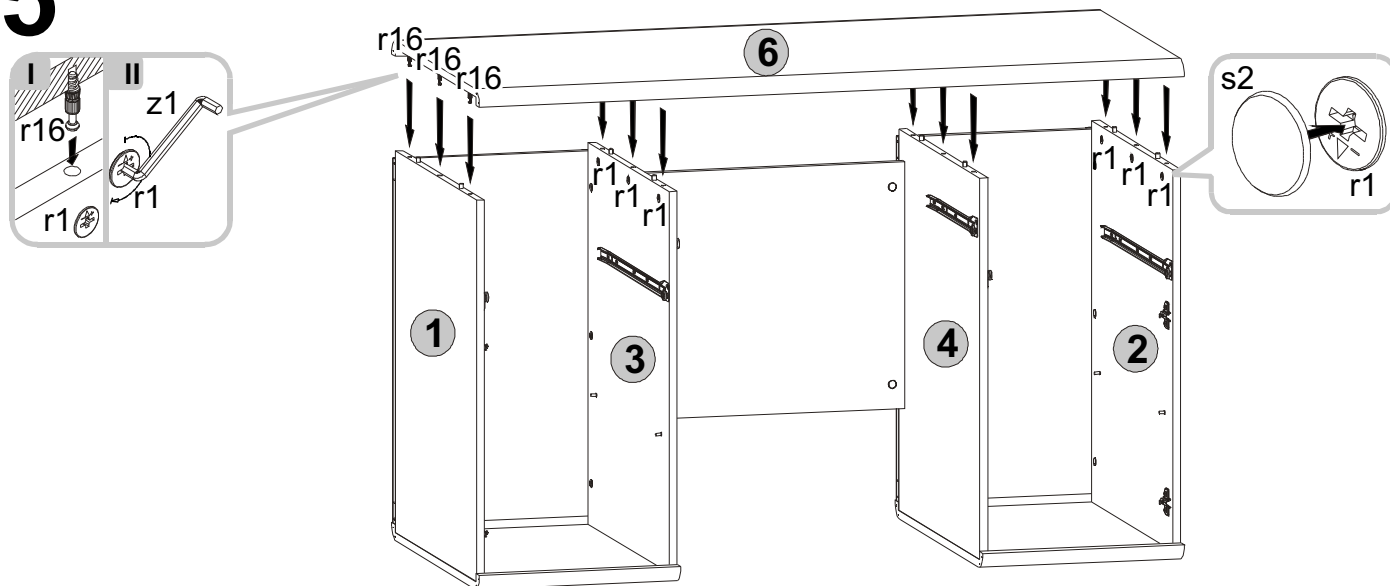
3



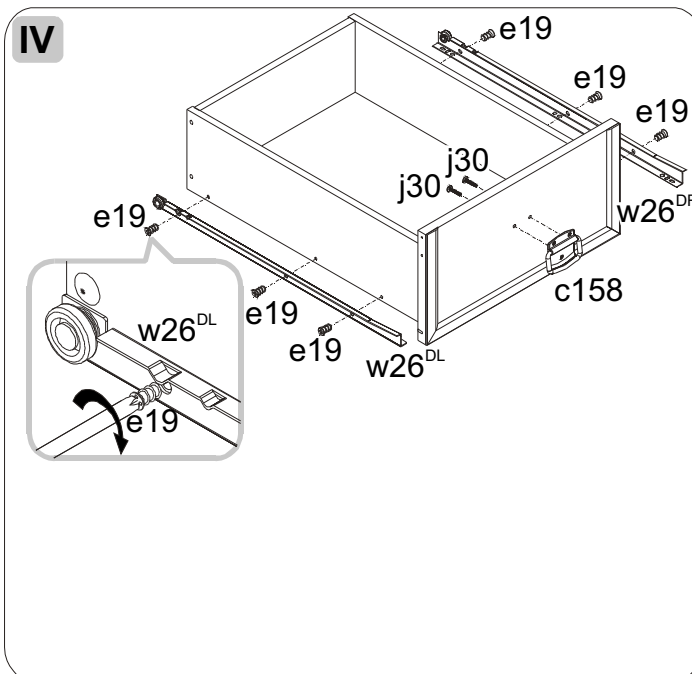
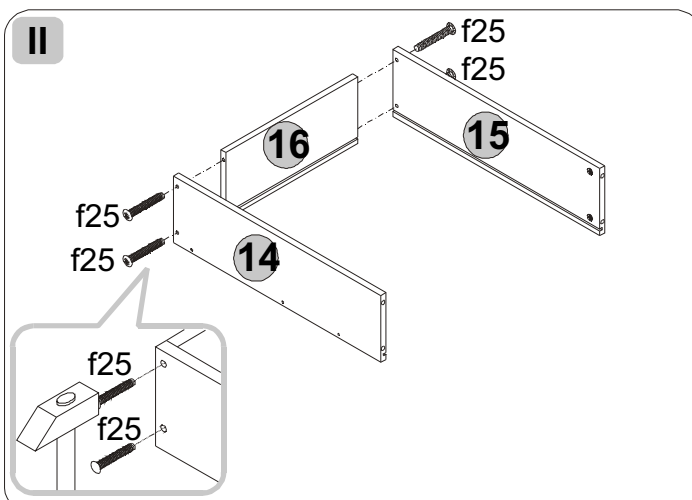
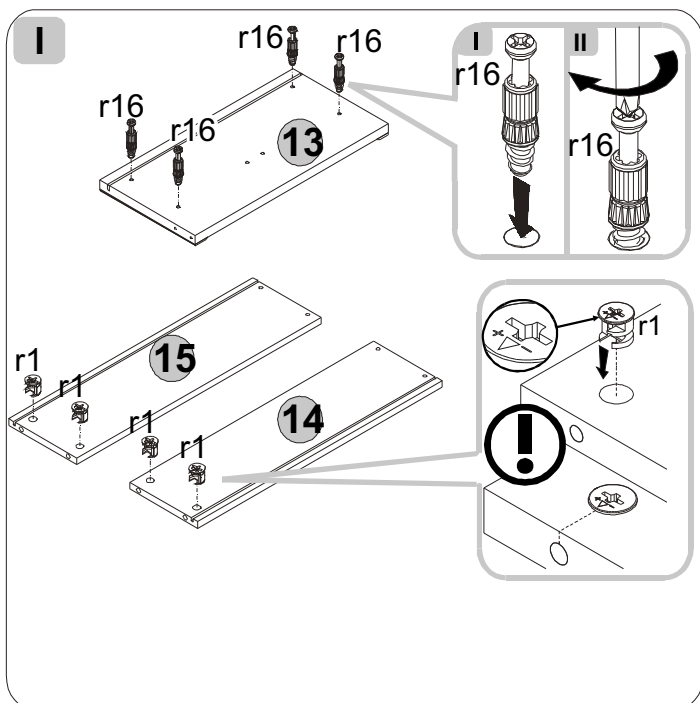
4



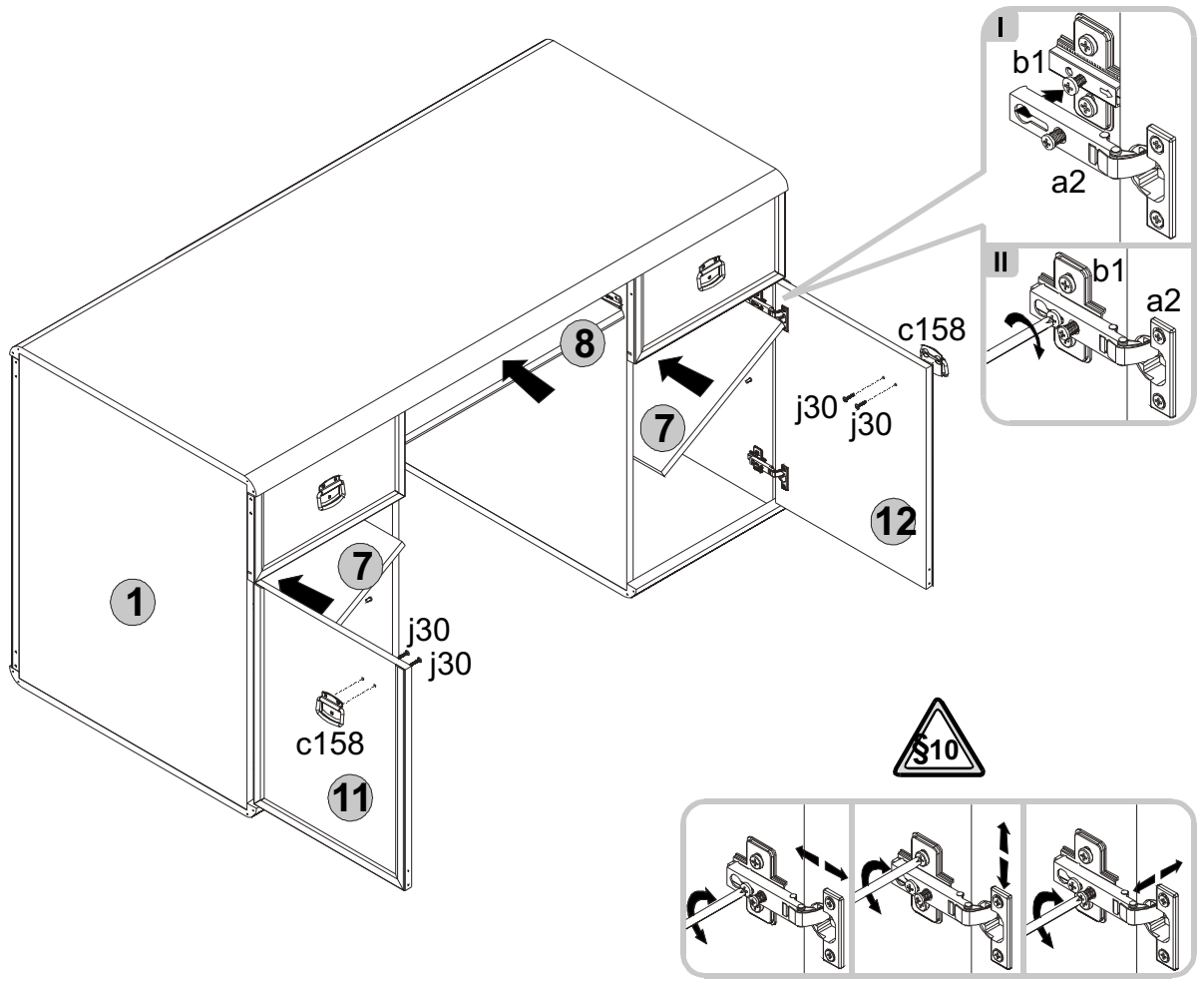
5



6



7



8

