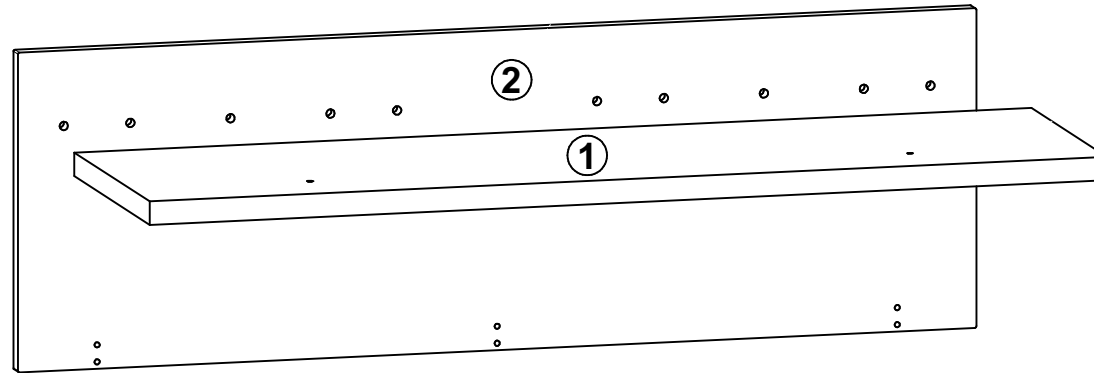

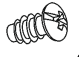










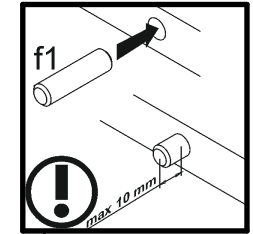
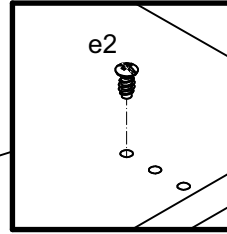
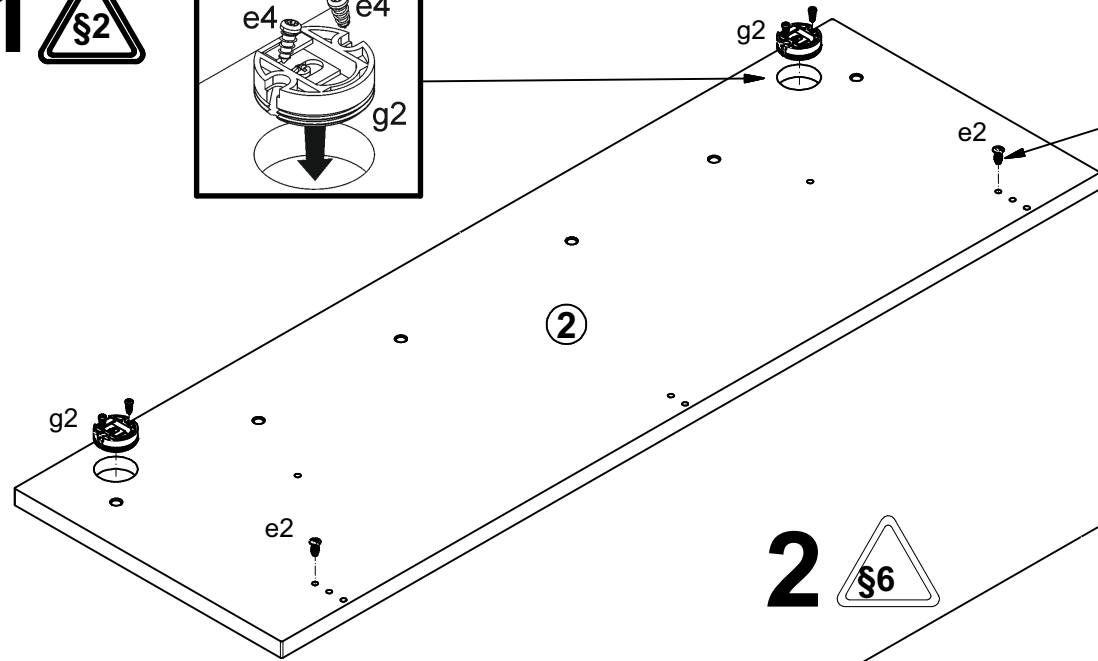
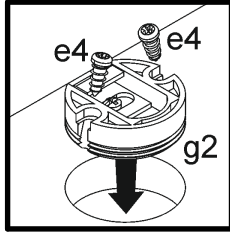


A	B	C (mm)		D
1	M130-307	919	270	1/1
2	M130-402	920	301	1/1

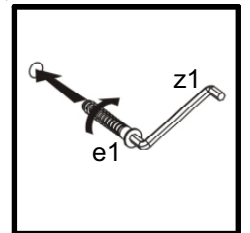
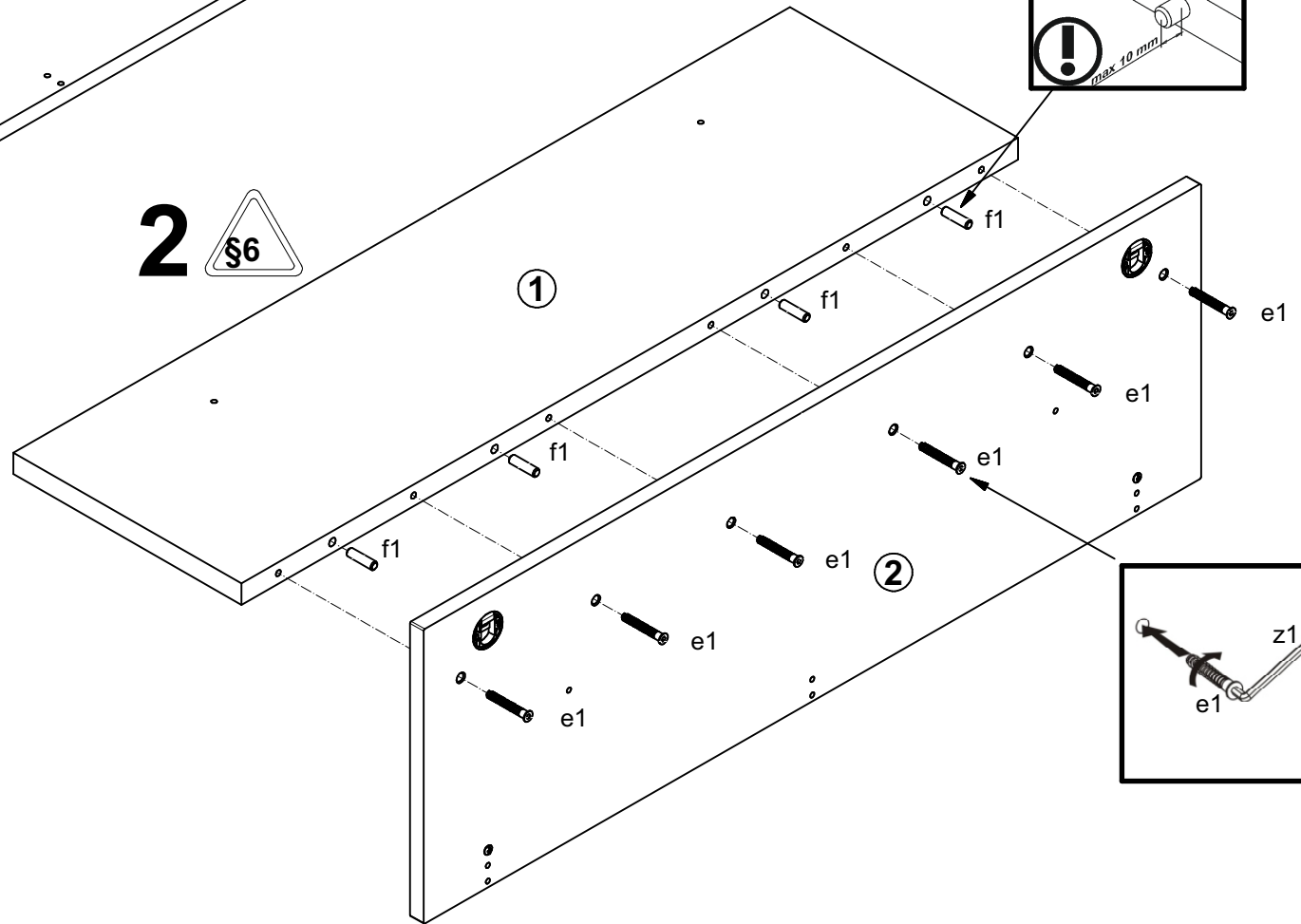


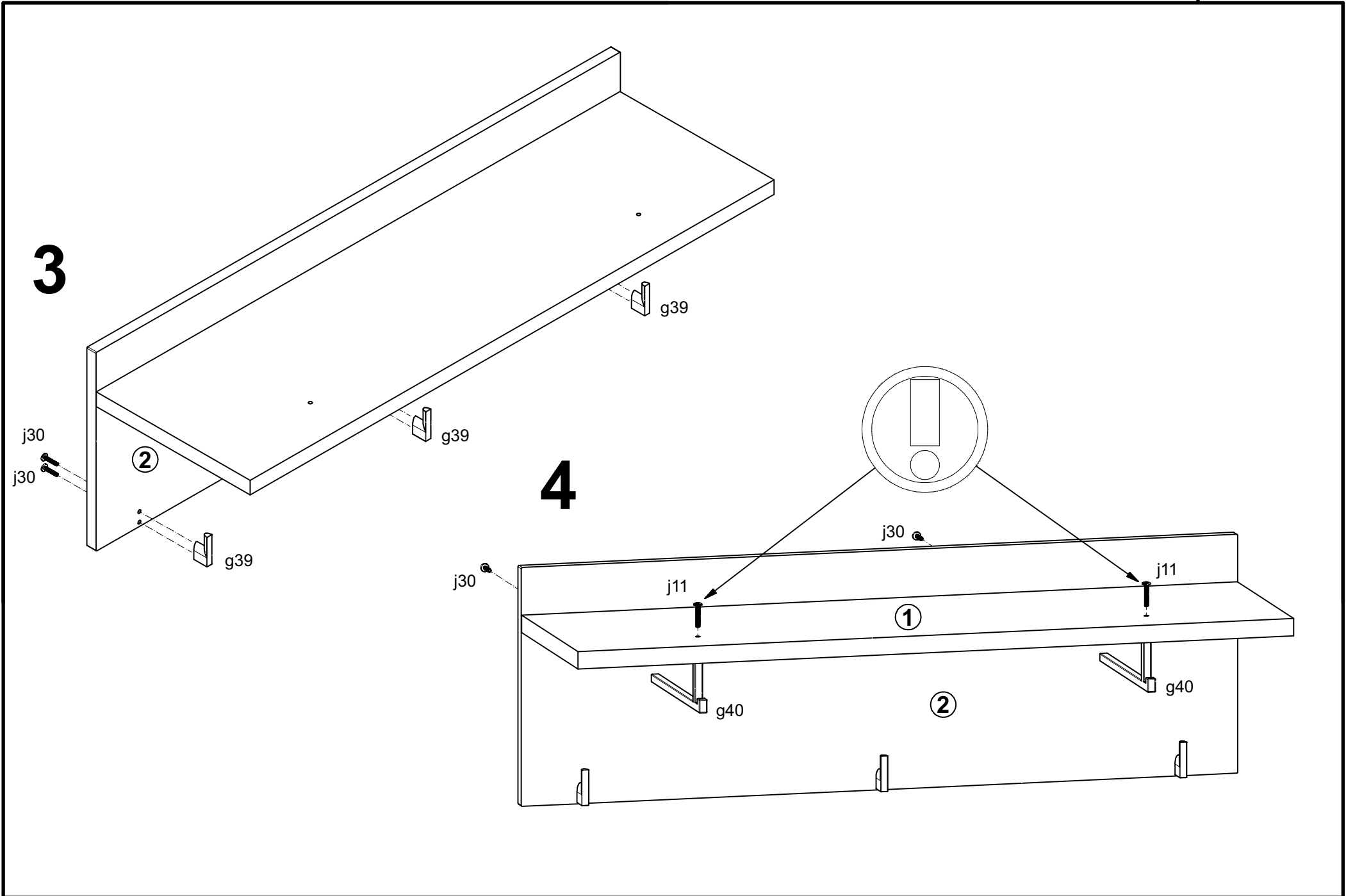
- 6x  **e1**
Ø 7x50 mm
- 2x  **e2**
Ø 6,3x13 mm
- 4x  **e4**
Ø 5x11 mm
- 4x  **f1**
Ø 8x30 mm
- 2x  **f35**
Ø 10x50 mm
- 2x  **g2**
- 3x  **g39**
- 2x  **g40**
- 2x  **j11**
M4x28 mm
- 8x  **j30**
M4x22 mm
- 2x  **p75**
Ø 6x60 mm
- 1x  **z1**

1 

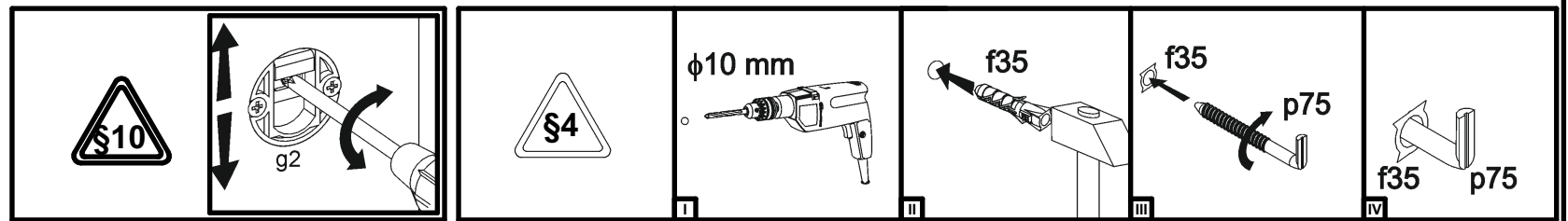
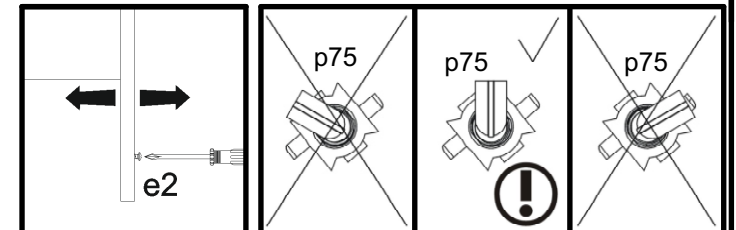
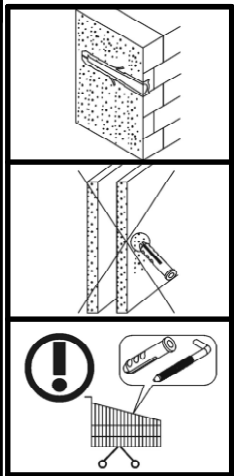
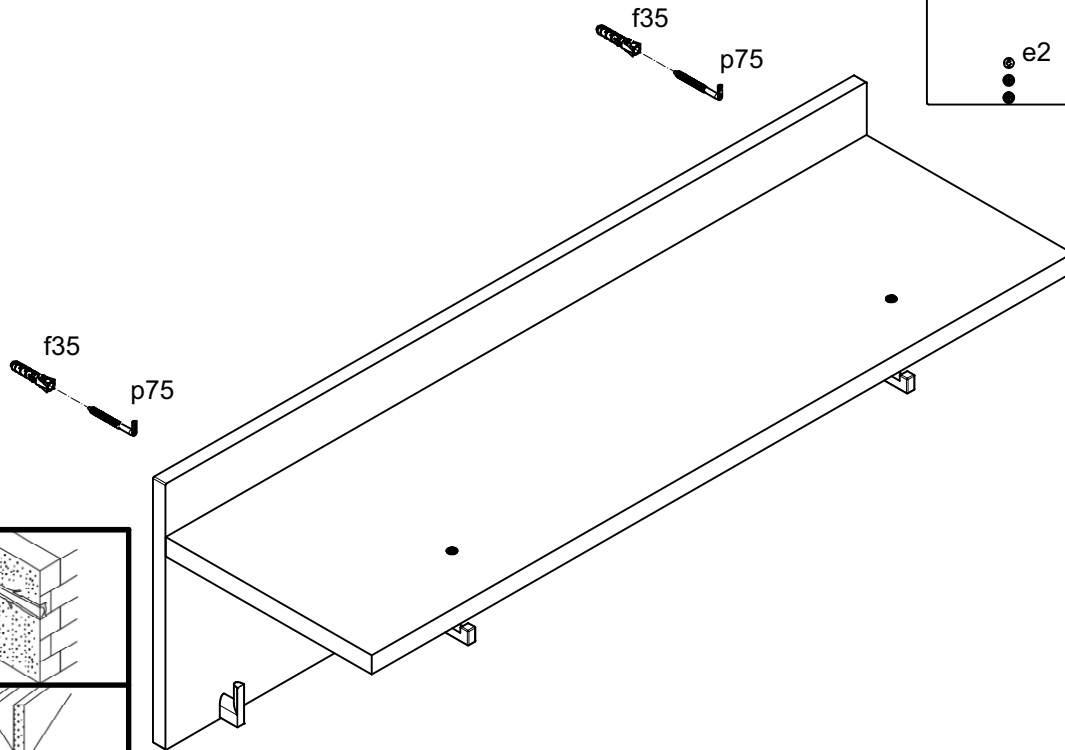
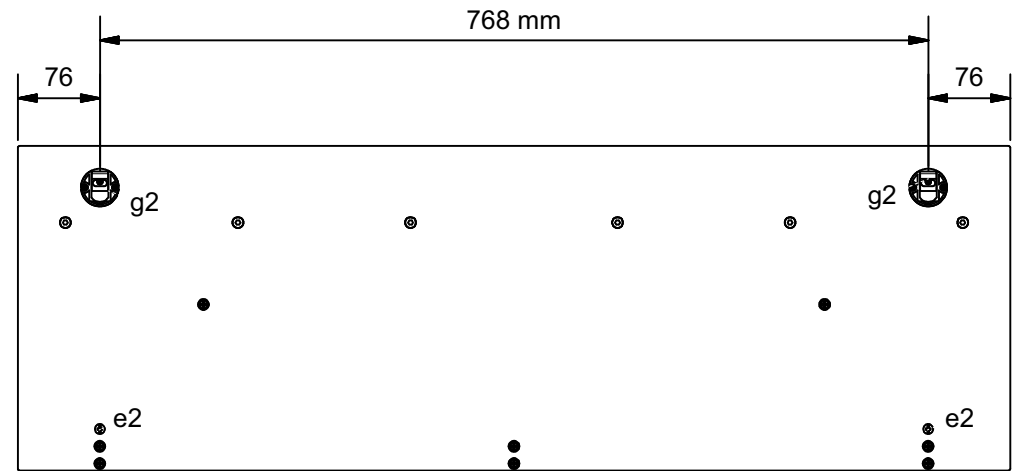


2 





5



6

