

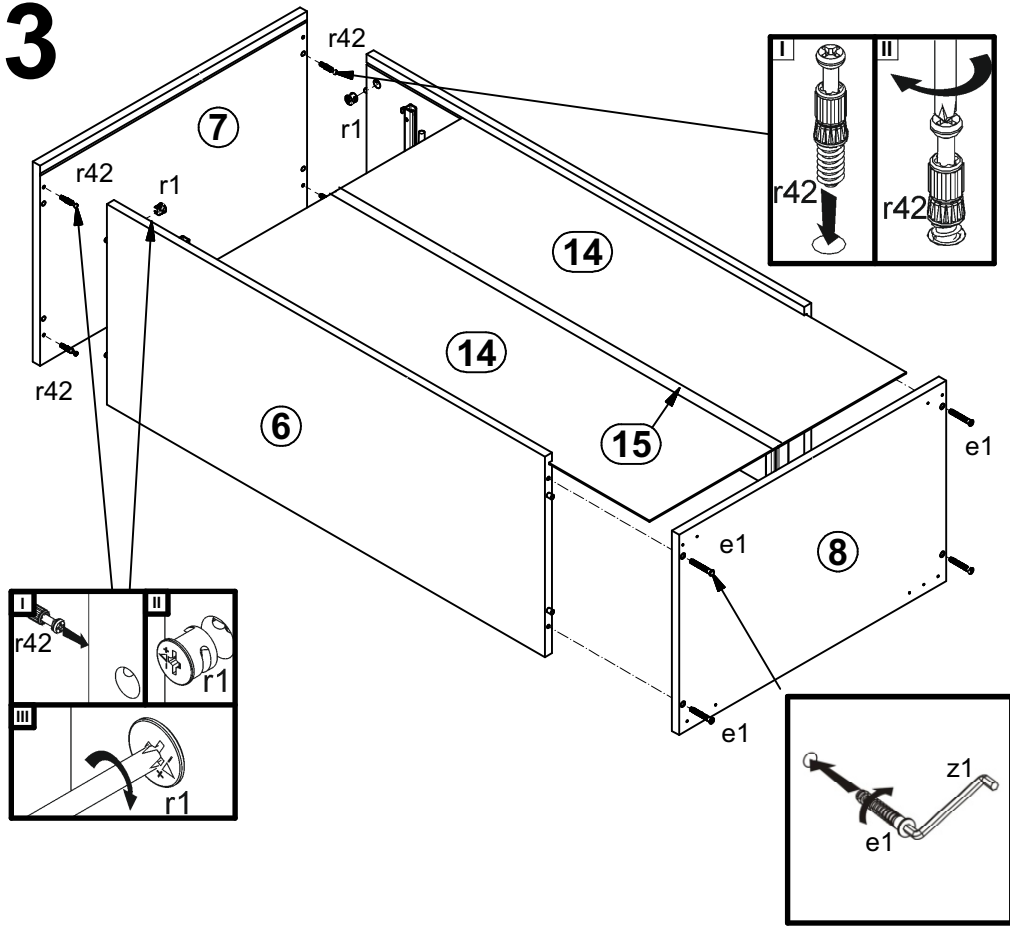
| A | B | C (mm) | D | |
|----|----------|--------|-----|-----|
| 1 | S205-005 | 200 | 596 | 2/2 |
| 2 | S205-006 | 200 | 596 | 2/2 |
| 3 | S205-007 | 200 | 596 | 2/2 |
| 4 | S205-008 | 200 | 596 | 2/2 |
| 5 | S205-103 | 984 | 390 | 1/2 |
| 6 | S205-104 | 984 | 390 | 1/2 |
| 7 | S205-203 | 600 | 390 | 1/2 |
| 8 | S205-204 | 600 | 390 | 1/2 |
| 9 | S205-501 | 350 | 105 | 1/2 |
| 10 | S205-502 | 350 | 105 | 1/2 |
| 11 | S205-504 | 527 | 91 | 1/2 |
| 12 | S205-572 | 567 | 70 | 1/2 |
| 13 | S205-902 | 541 | 358 | 1/2 |
| 14 | S205-952 | 994 | 288 | 1/2 |
| 15 | Lh-980 | 980 | 14 | 1/2 |

60 min

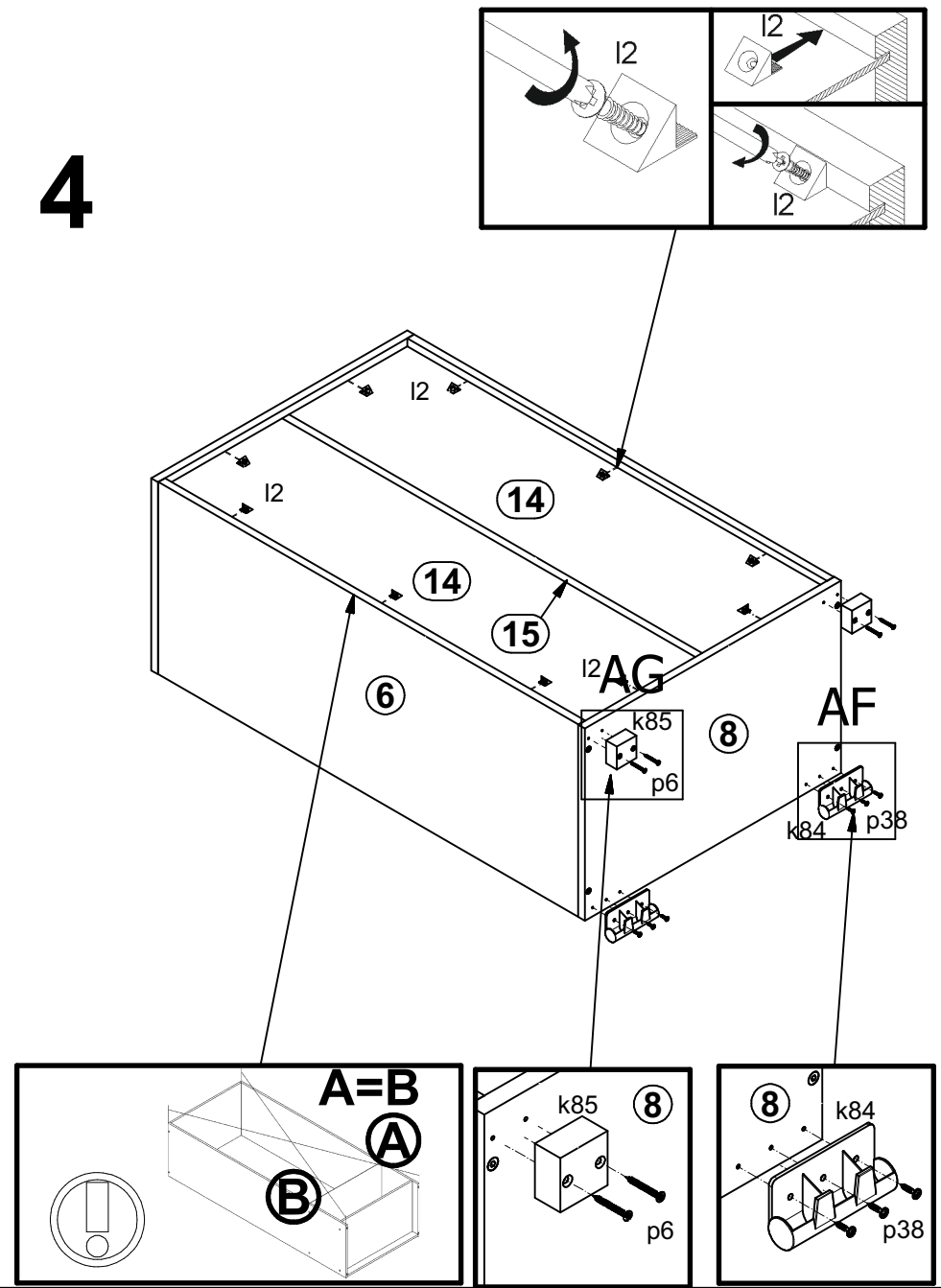


- | | | | | | | | | | | | |
|------------------------------|------------------------------|-------------------------------|---------------------------------|-----------------------------------|------------------------------|---------------------------------|-------------------------|-------------------|---------------------------------|-----------------|-----------------------------|
| 24x φ7x50 mm e1 | 10x i2 | 2x k84 | 10x φ2,9x16 mm p55 | 26x φ1,5x12mm #16 r1 | 20x φ8x30 mm f1 | 40x φ6x13 mm e3 | 22x ø16 s2 | 26x r42 | 10x φ3,5x16 mm p25 | 1x z1 | 4x φ4x35 mm p6 |
| 1x φ10x50 mm f3 | 1x φ5x60 mm p17 | 5x 350 mm w76\ P | 5x 350 mm w76\L | 5x 350 mm t35 | 2x k85 | 27x φ3,5x16 mm p38 | 1шт. n26 | | | | |

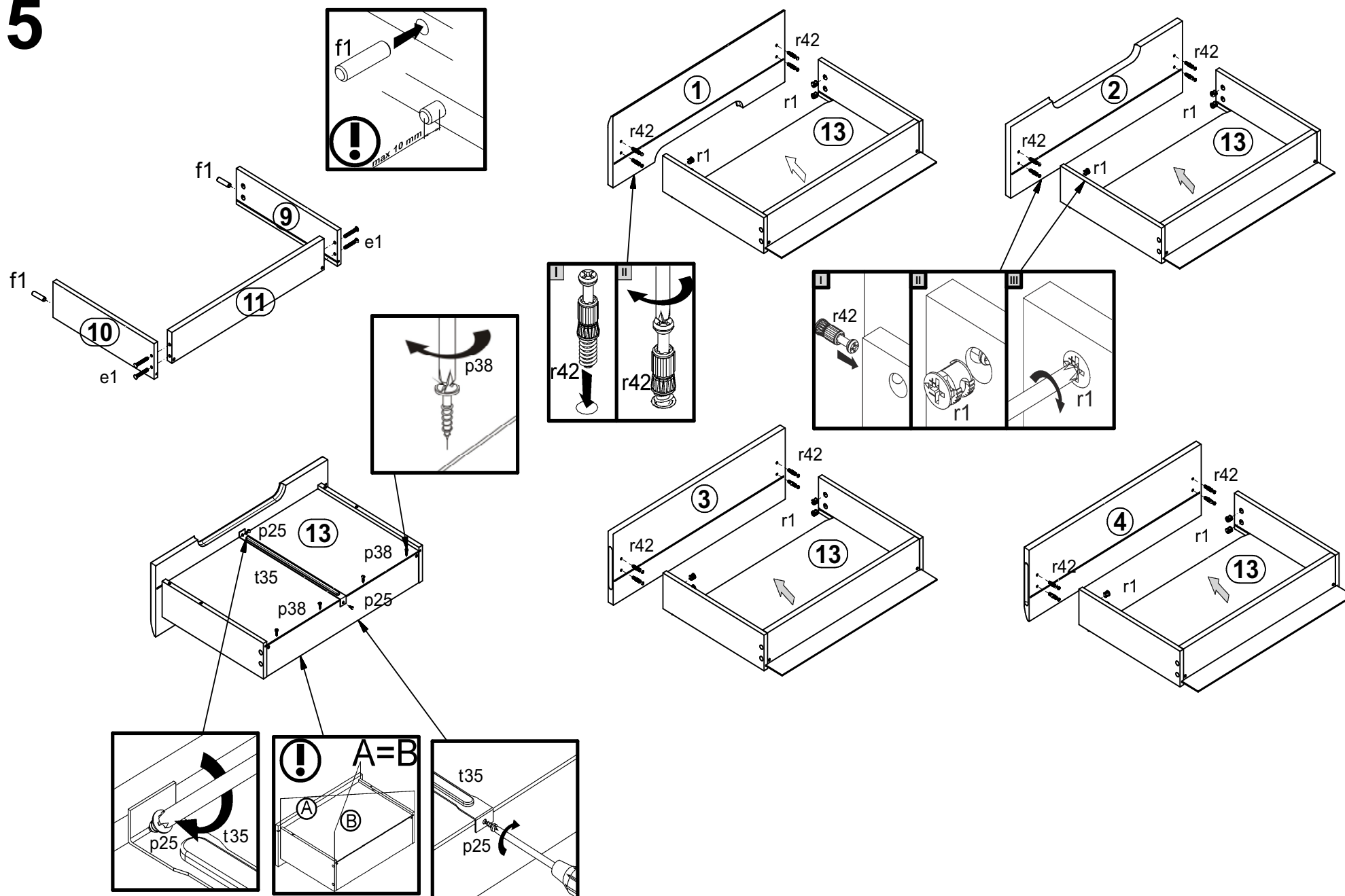
3



4



5



8

