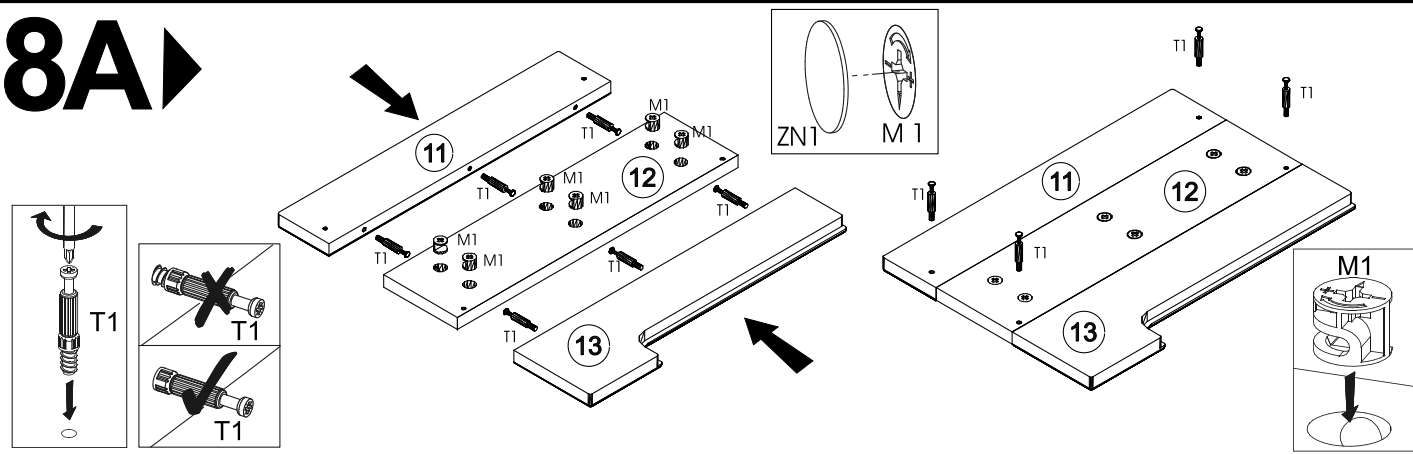
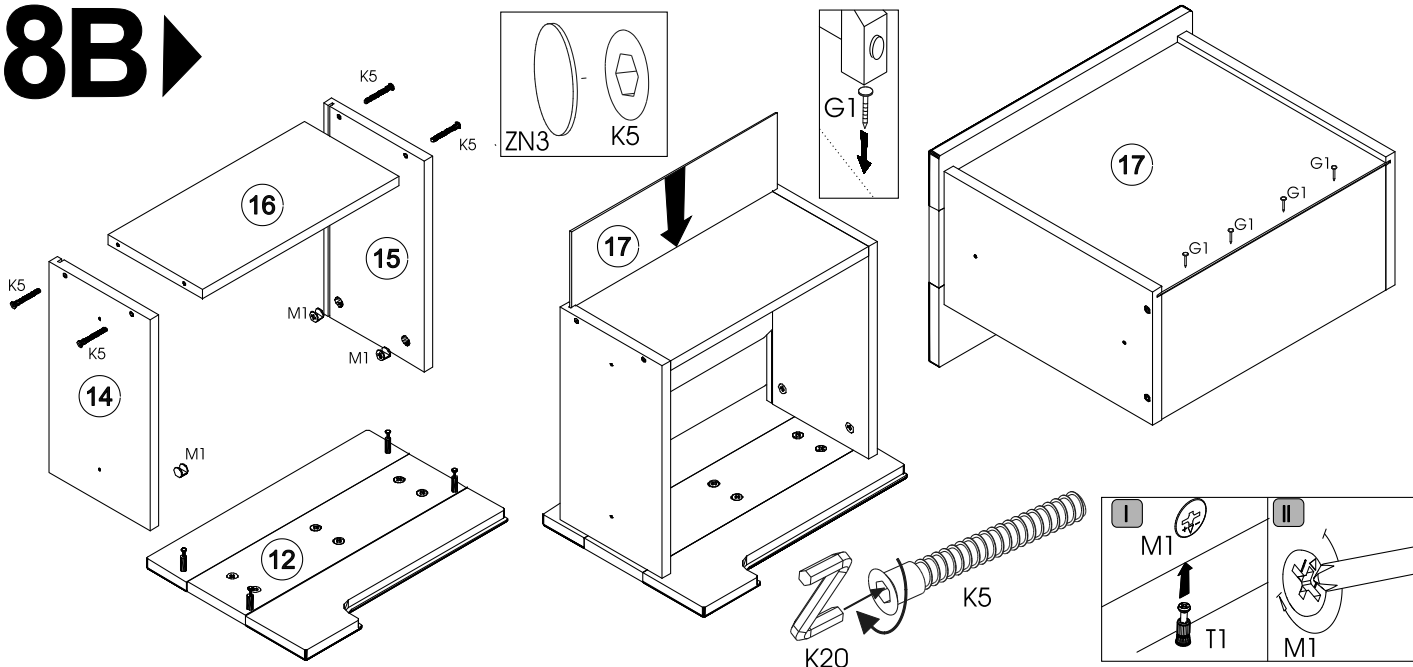


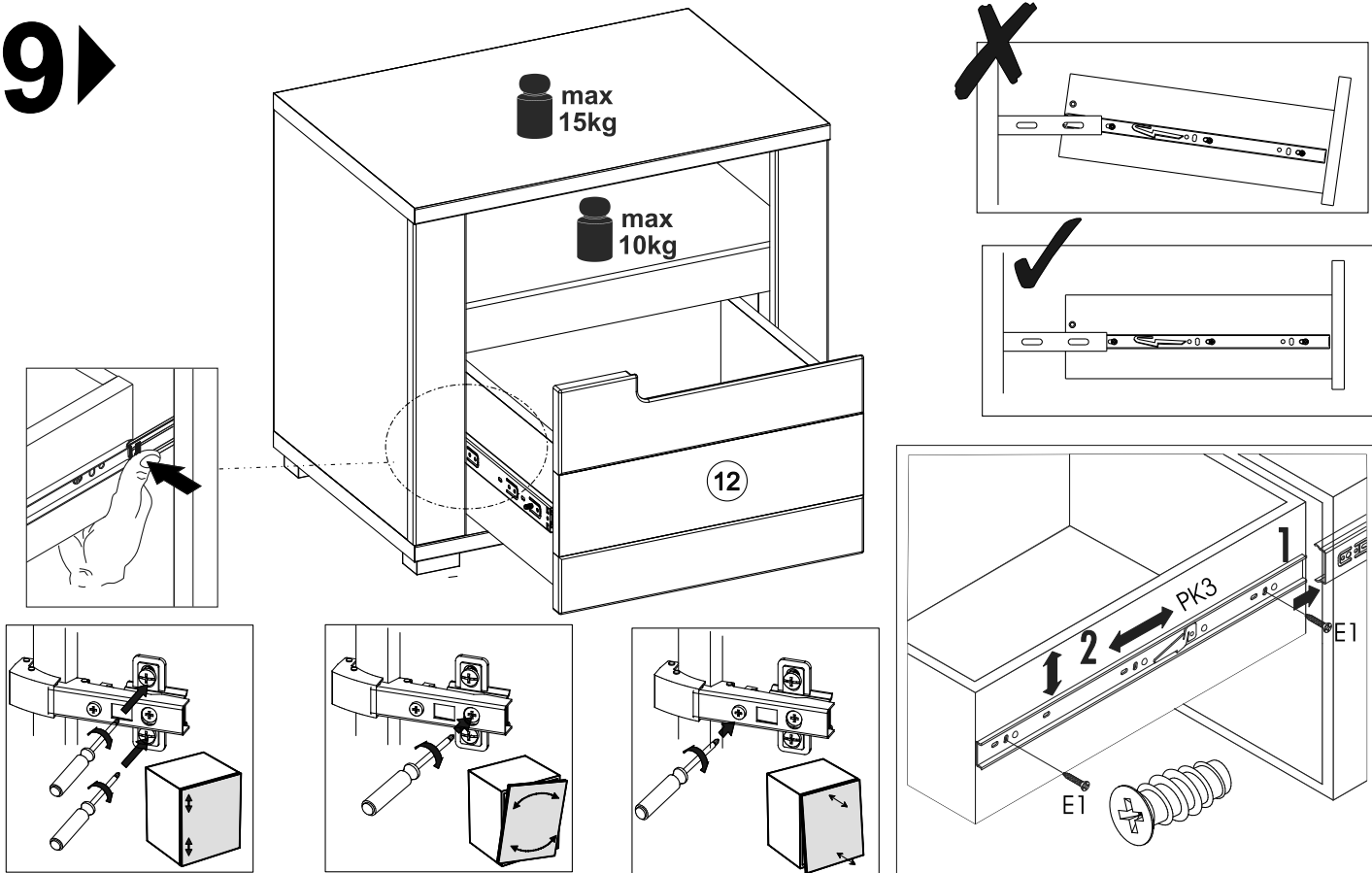
# 8A



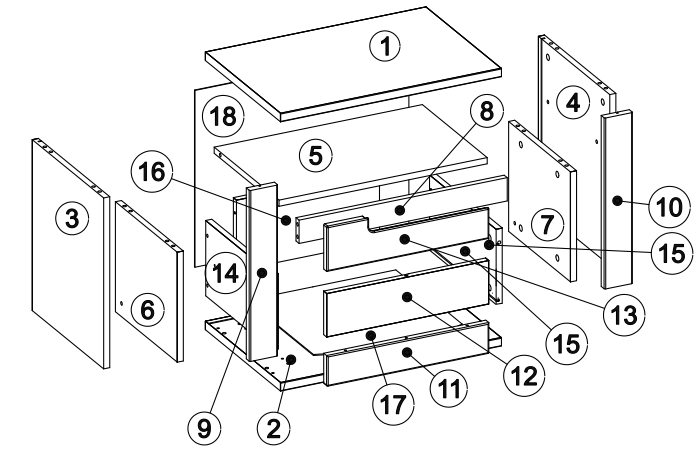
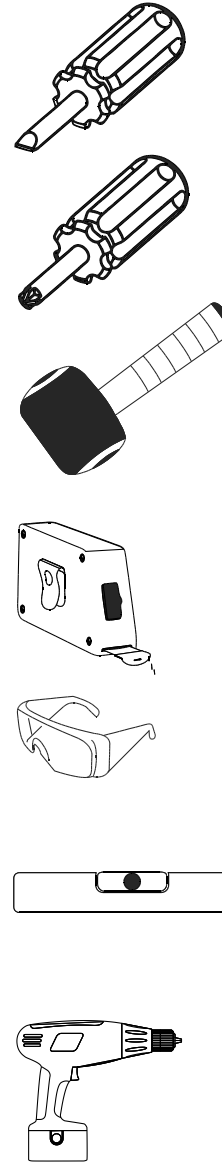
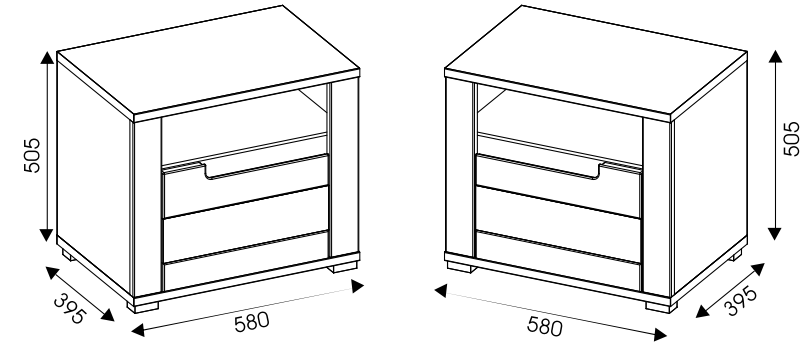
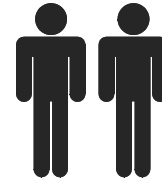
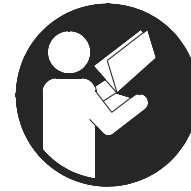
# 8B



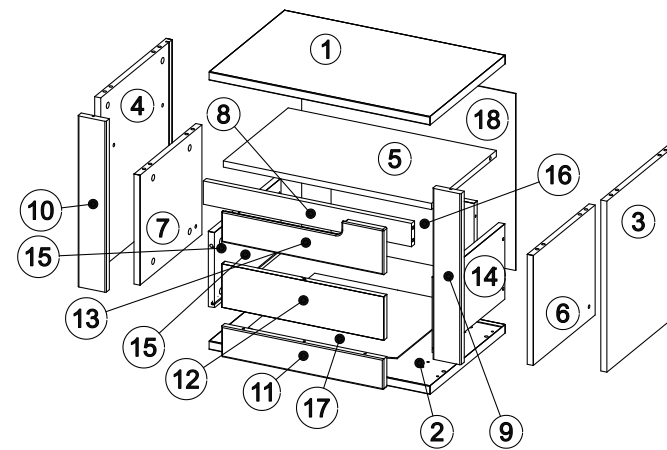
# 9



# MODELL: Y16; Y17



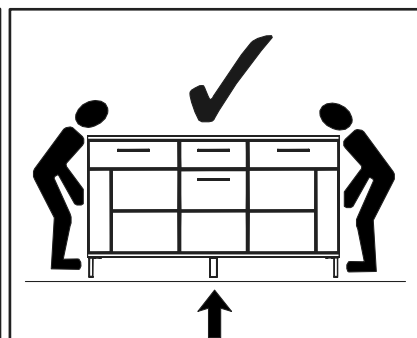
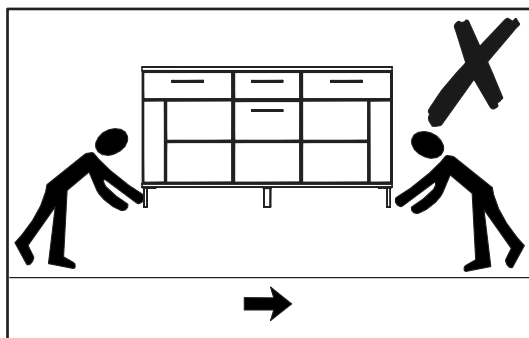
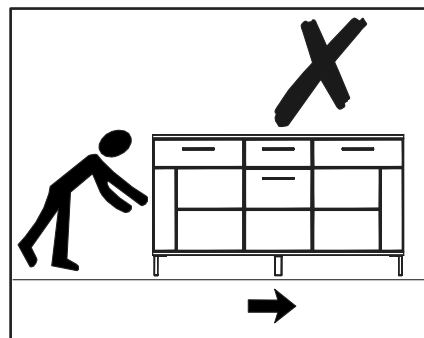
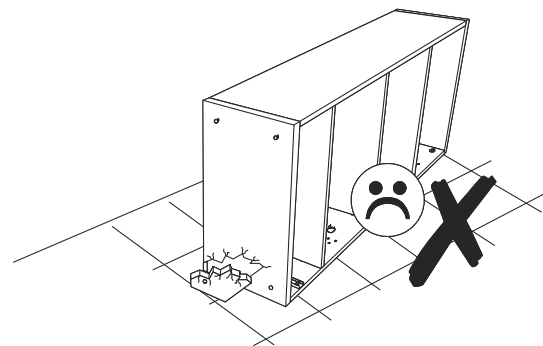
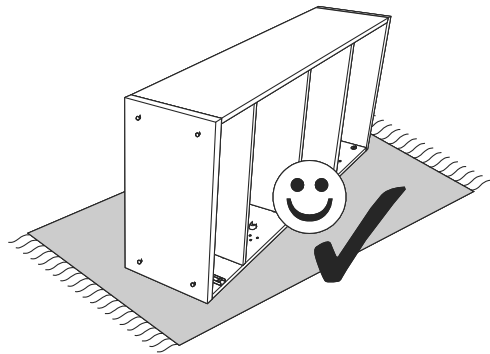
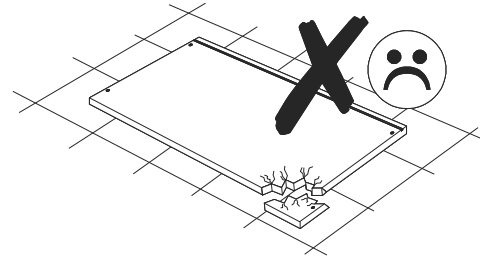
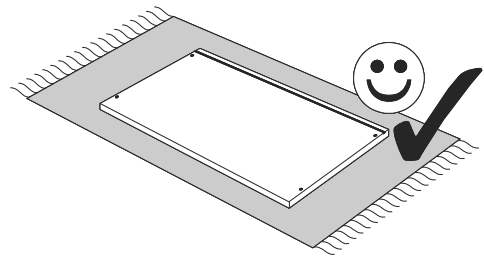
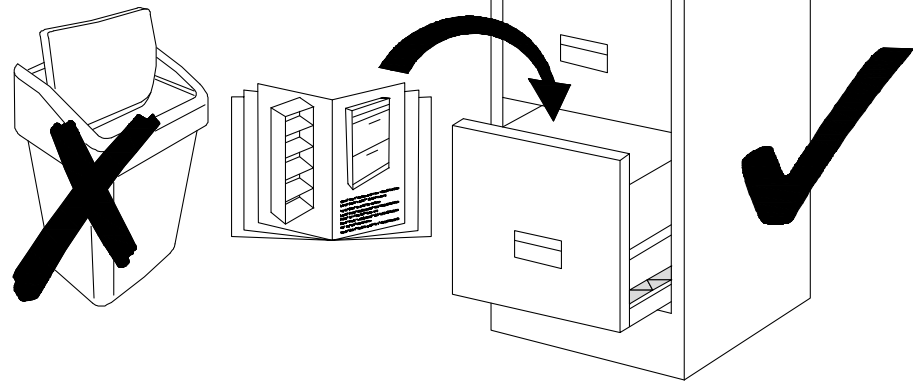
Y16



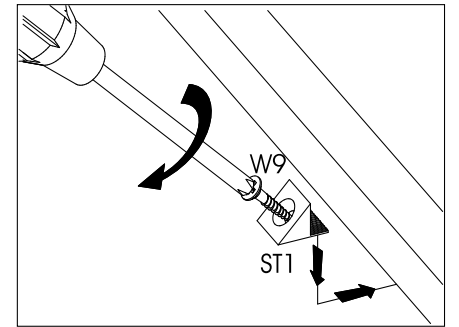
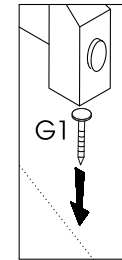
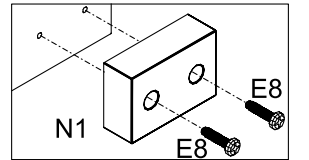
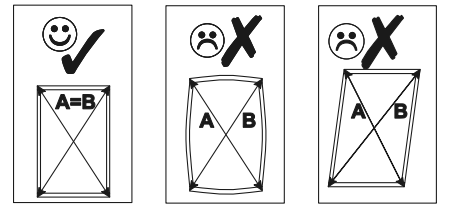
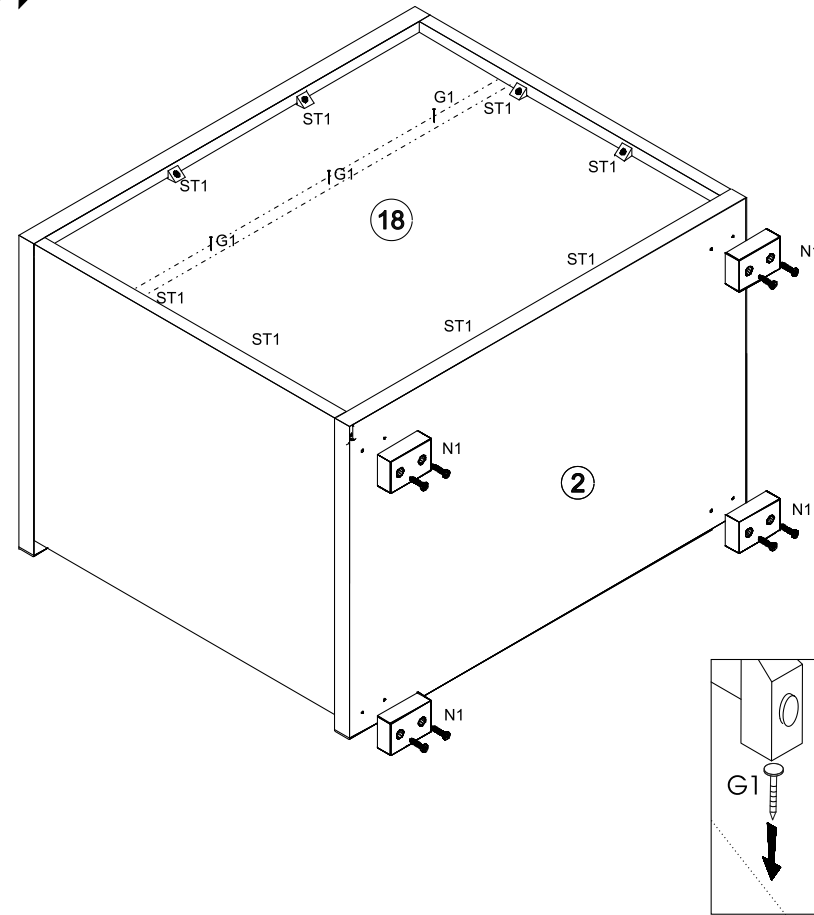
Y17

18	562x455	1/2
17	357x391	1/2
16	376x182	2/2
15	350x194	2/2
14	350x194	2/2
13	426x116	2/2
12	112x426	2/2
11	426x79	2/2
10	440x74	2/2
9	440x74	2/2
8	547x60	1/2
7	283x325	1/2
6	283x325	1/2
5	547x341	1/2
4	440x375	2/2
3	440x375	2/2
2	580x396	1/2
1	580x396	1/2

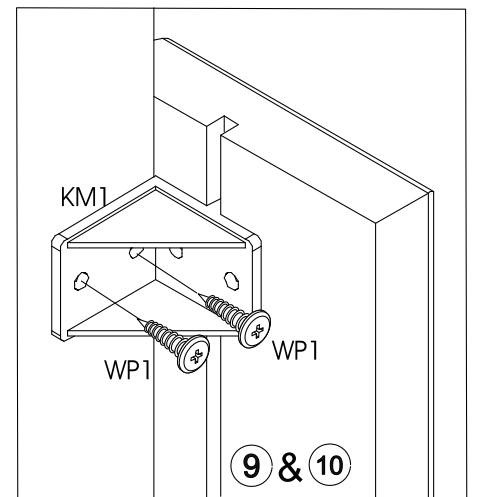
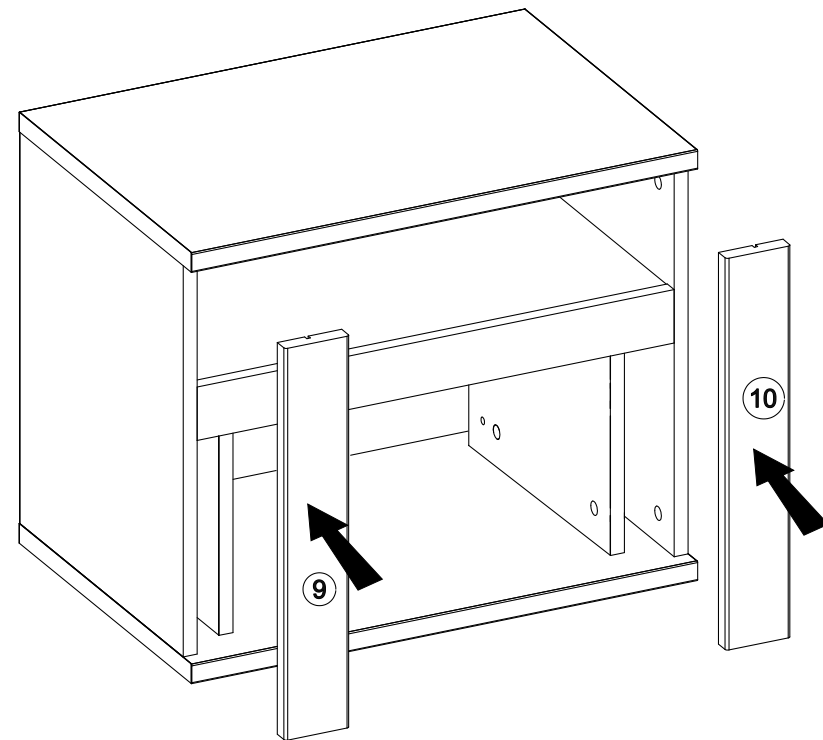
4x 6.4x50 K5	8x 5x11 E1	1x K20	8x ST1	16x 3.5x16 WP1	8x 3x20 W9	4x #14/863 ZN3		
6x #20/863 ZN1	24x 8x30 K1	1 kpl. #350 PK3	7x 2x20 G1	26x #15/15 M1	26x DU232T T1	4x KM1	4x N1	8x 5x20 E8



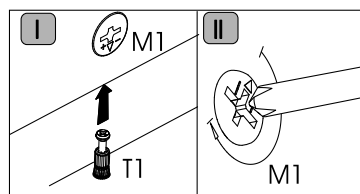
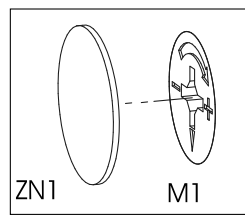
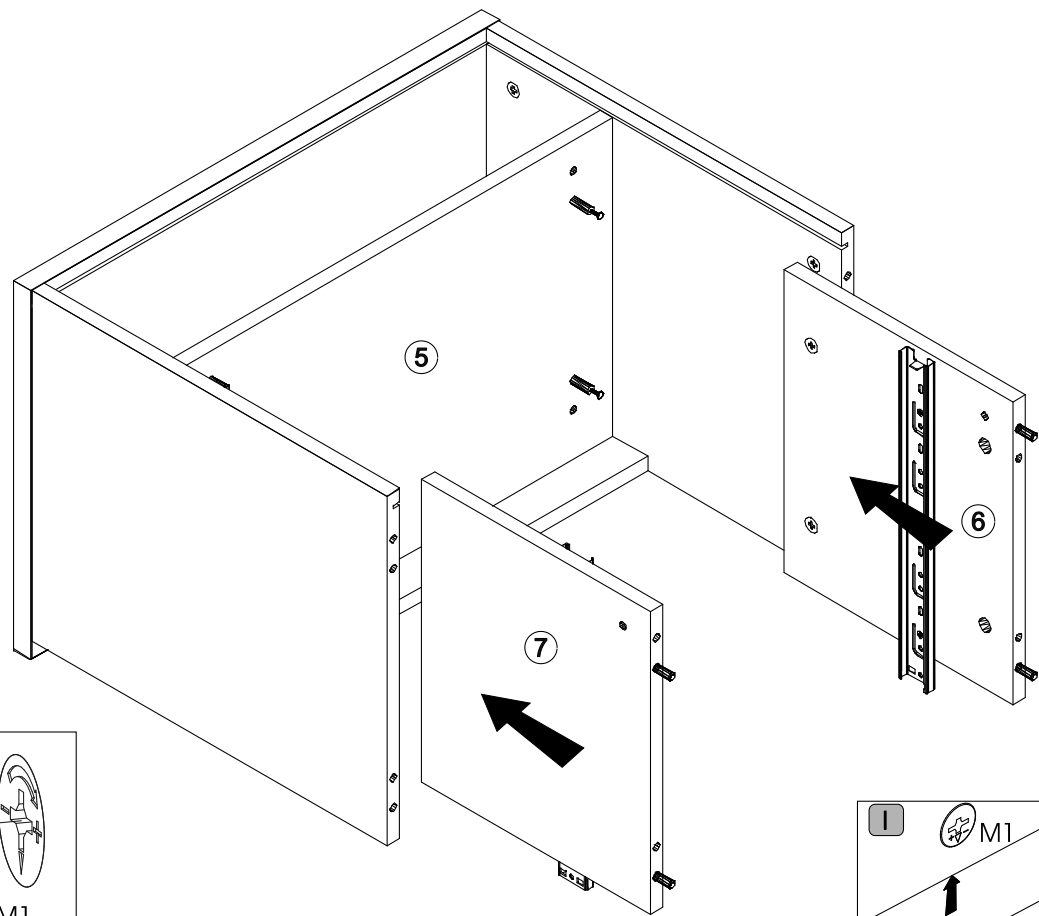
# 6



# 7



4



5

