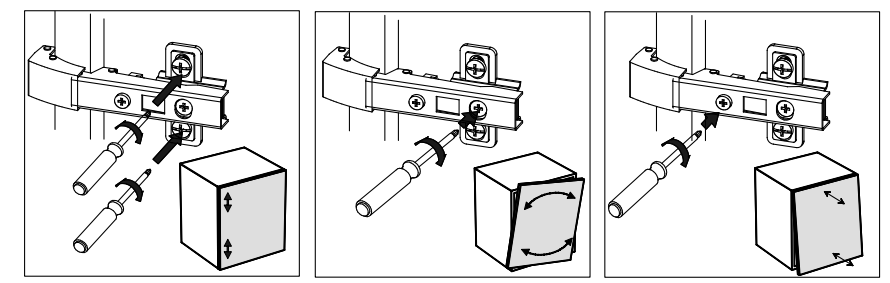
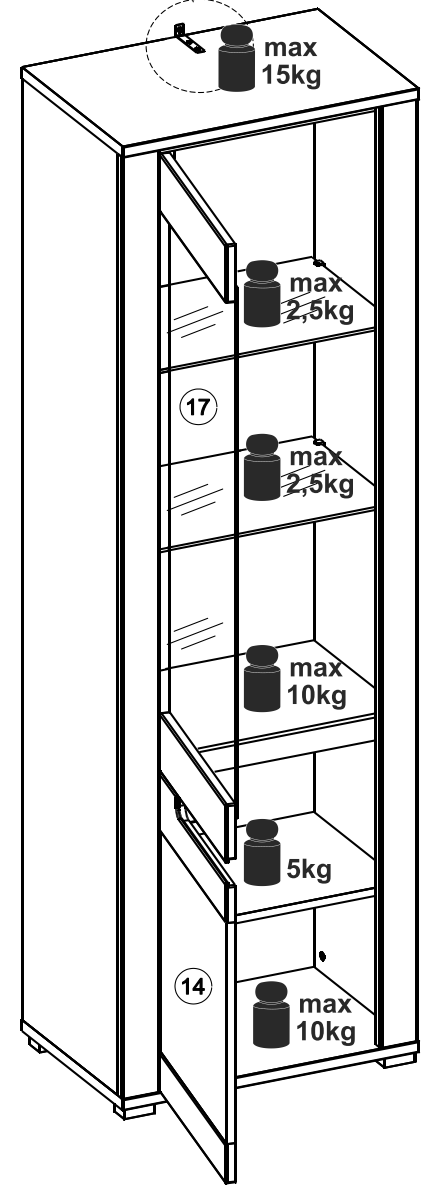
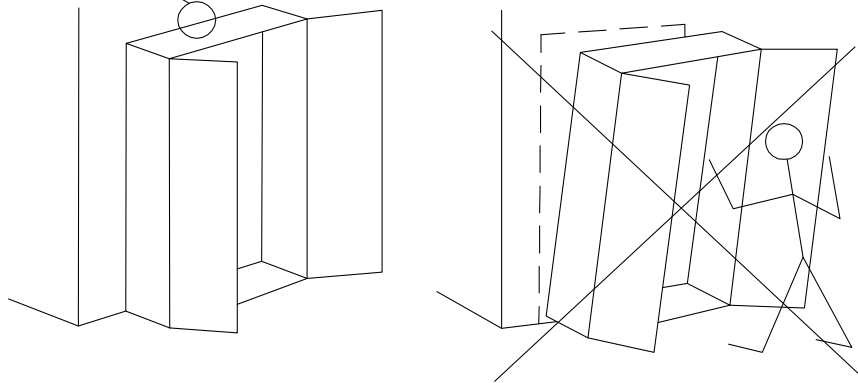
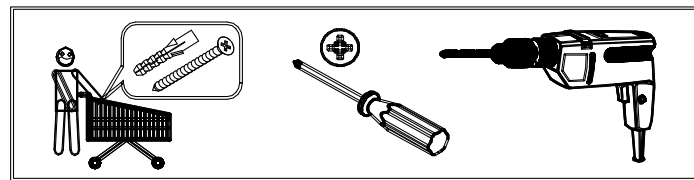
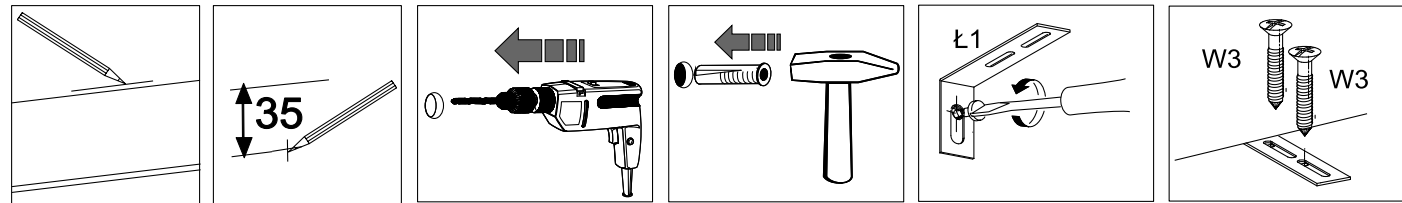
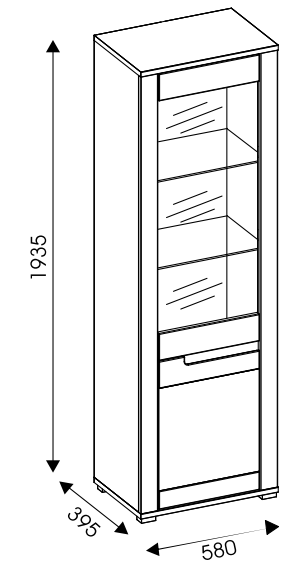
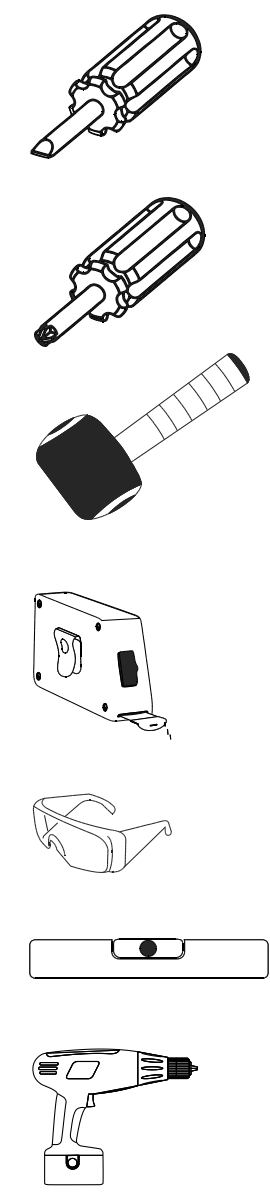
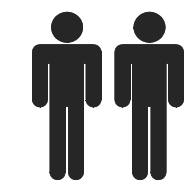
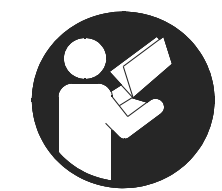


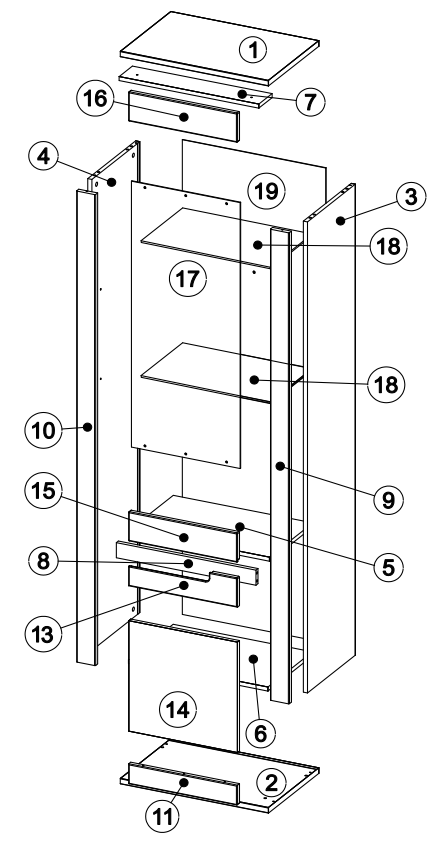
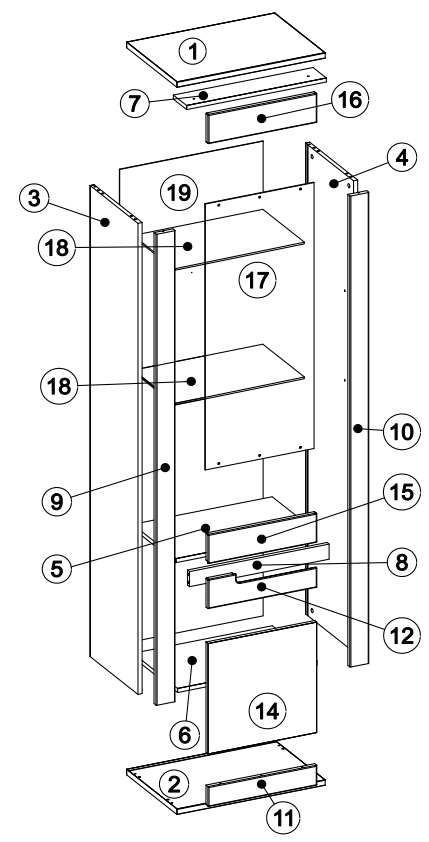
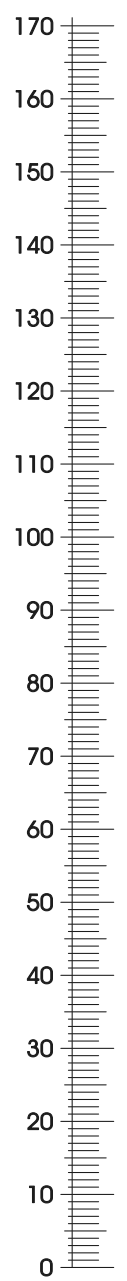
14



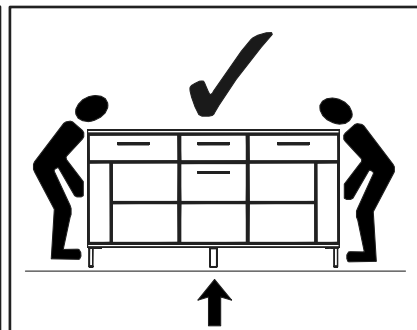
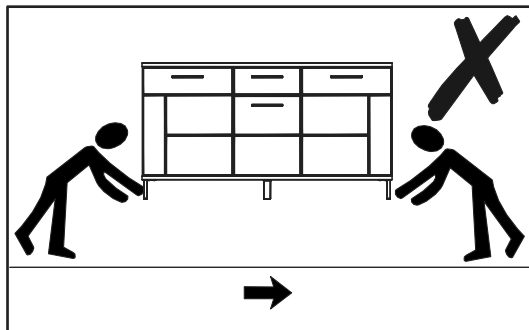
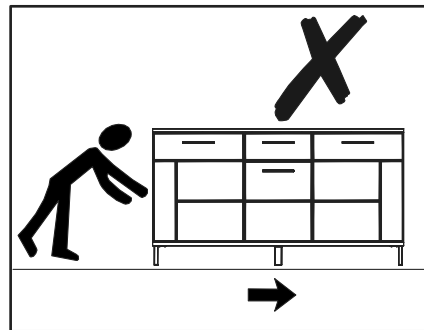
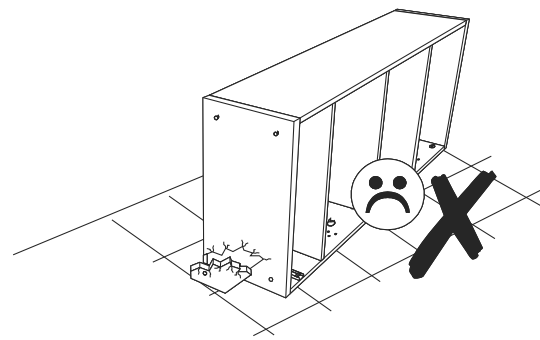
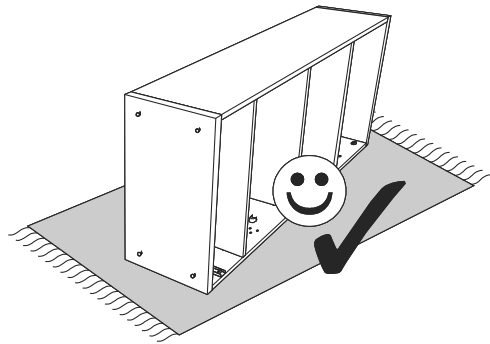
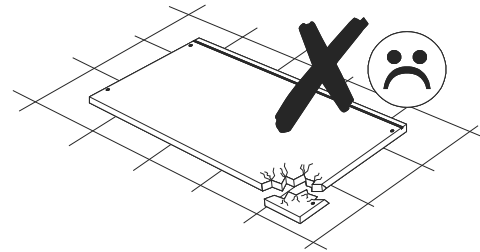
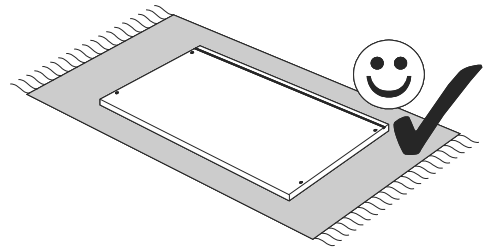
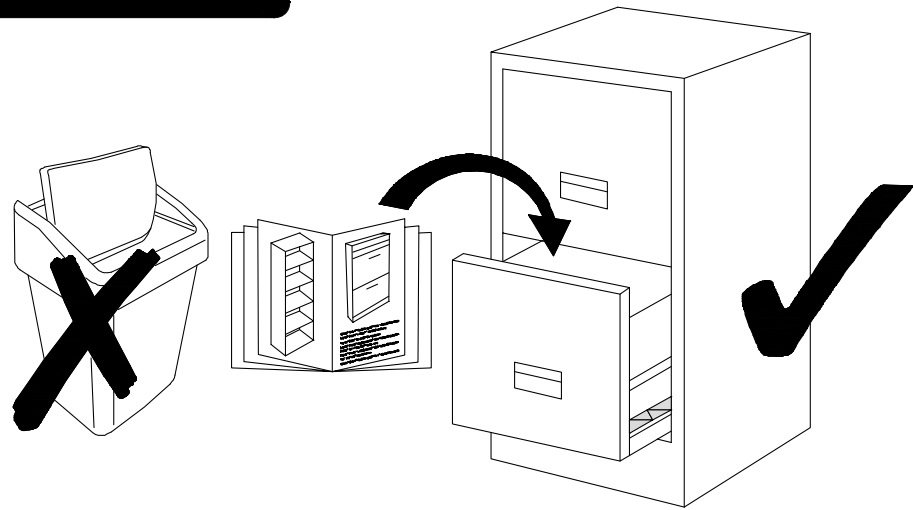
MODELL: Y5



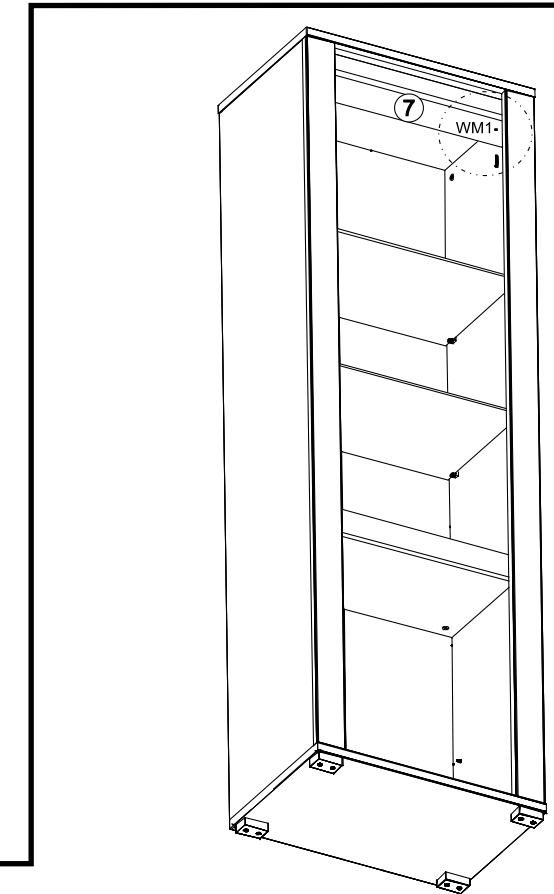
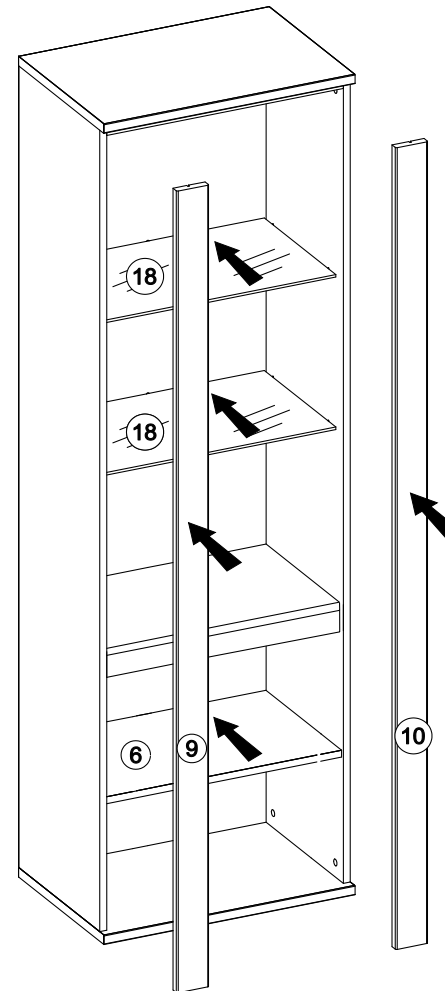
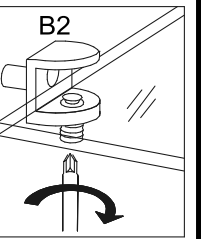
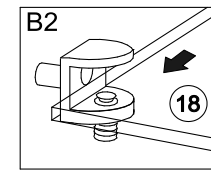
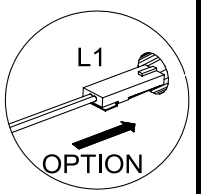
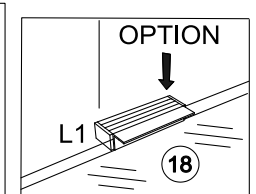
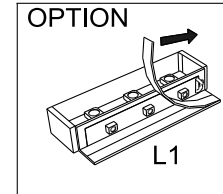
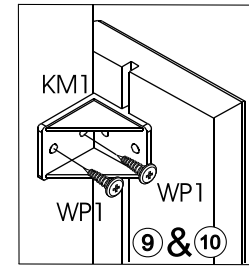
| | | |
|----|----------|-----|
| 19 | 1885x562 | 2/3 |
| 18 | 539x330 | 1/3 |
| 17 | 1056x426 | 2/3 |
| 16 | 426x116 | 3/3 |
| 15 | 426x116 | 3/3 |
| 14 | 439x426 | 3/3 |
| 13 | 426x116 | 3/3 |
| 12 | 426x116 | 3/3 |
| 11 | 426x79 | 3/3 |
| 10 | 1871x74 | 2/3 |
| 9 | 1871x74 | 2/3 |
| 8 | 547x60 | 3/3 |
| 7 | 547x104 | 3/3 |
| 6 | 546x350 | 1/3 |
| 5 | 547x341 | 1/3 |
| 4 | 1871x375 | 2/3 |
| 3 | 1871x375 | 2/3 |
| 2 | 580x396 | 1/3 |
| 1 | 580x396 | 1/3 |



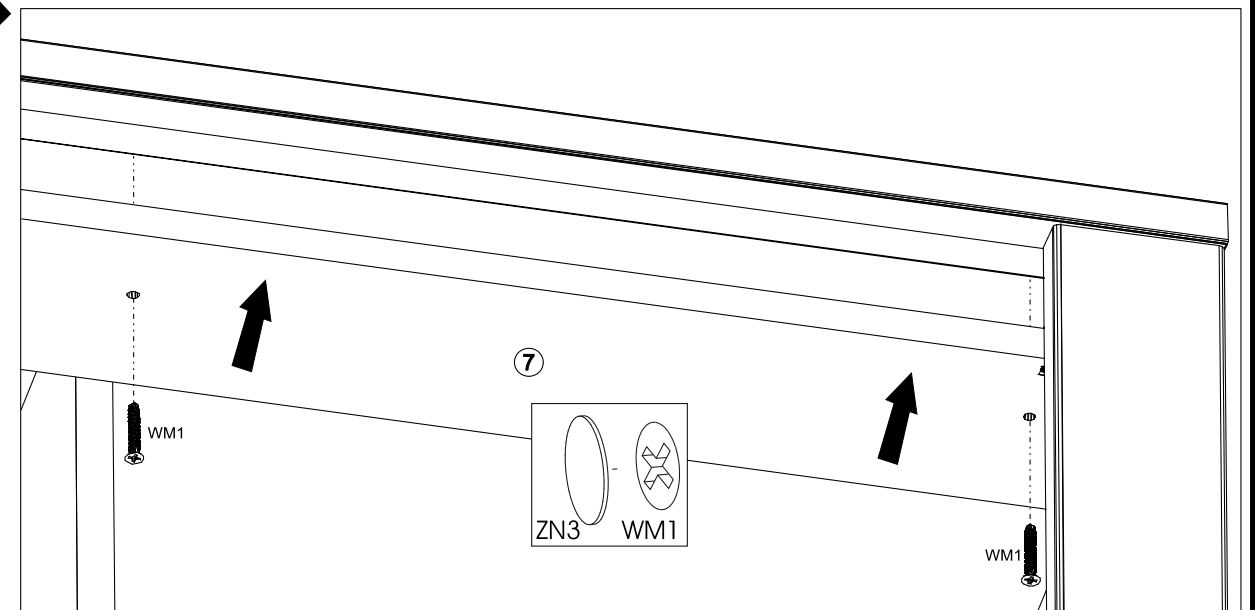
| | | | | | | | | |
|-----------------------------|-------------------|------------------|---------------|----------------------|---------------------|------------|------------------|---------------------|
| 1x OPTION 2xNSP-3D/WW | 1x L1 | 1x Z10 | 2x #14/863 | 4x ZN3 | 2x B1 | 2x #35 | 2x ZP1 | |
| 6x 4x16 WP3 | 2x 4x30 WM1 | 6x TU1 | 14x ST1 | 40x 3.5x16 WP1 | 14x 3x20 W9 | 8x B2 | 4x N1 | 12x 3.5x16 W3 |
| 18x #20/863 ZN1 | 16x 8x30 K1 | 4x H=2 PR2 | 4x Z90 | 18x #15/15 M1 | 18x DU232T T1 | 10x KM1 | 3x 2x20 G1 | 8x 5x20 E8 |



12

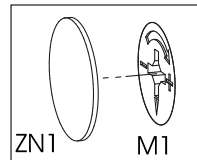
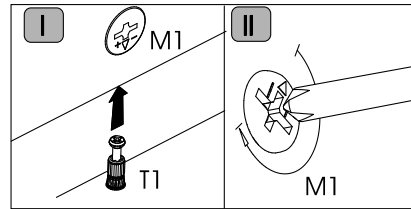
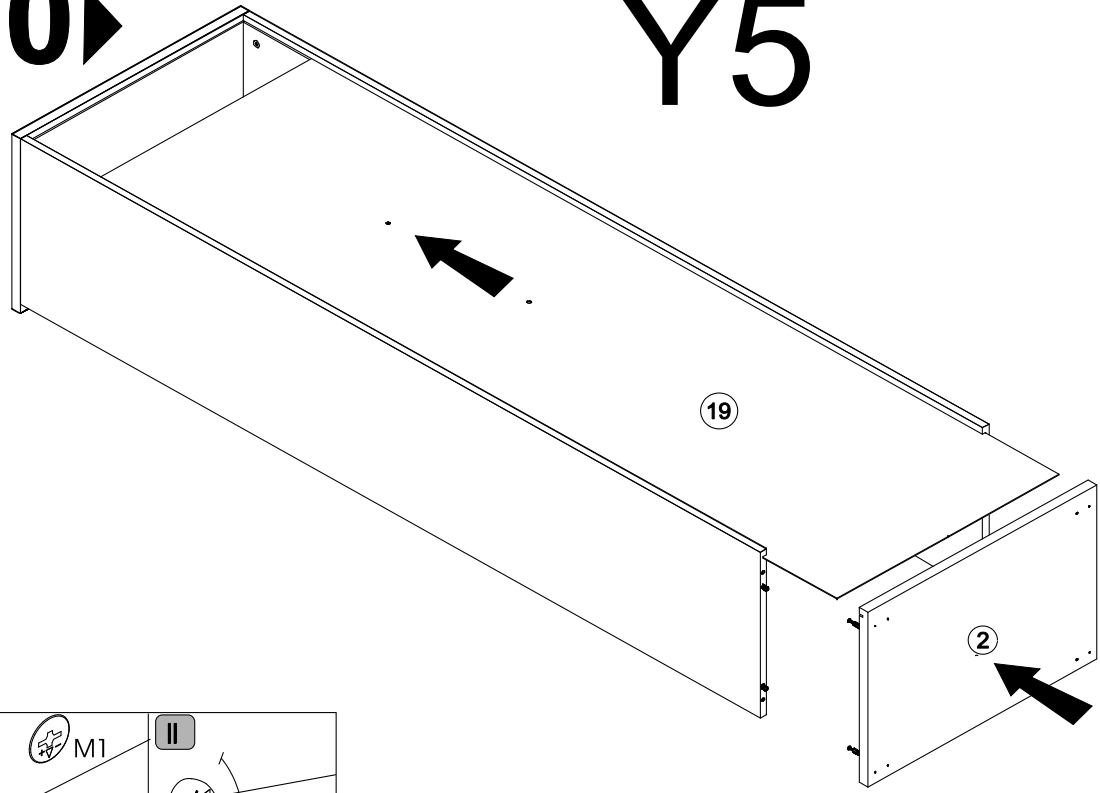


13

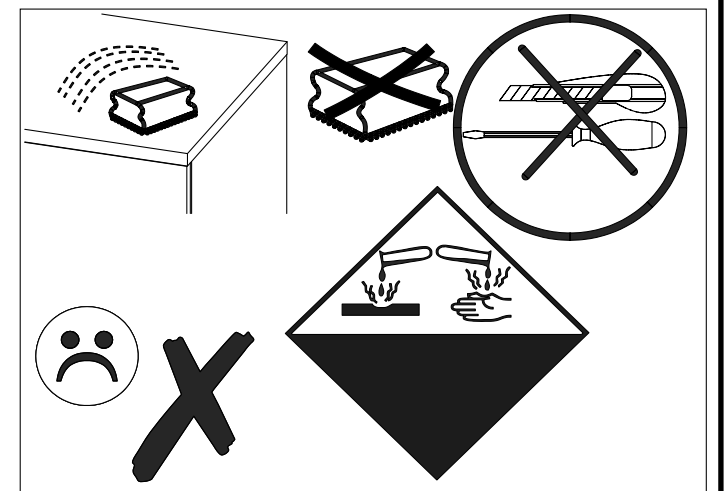
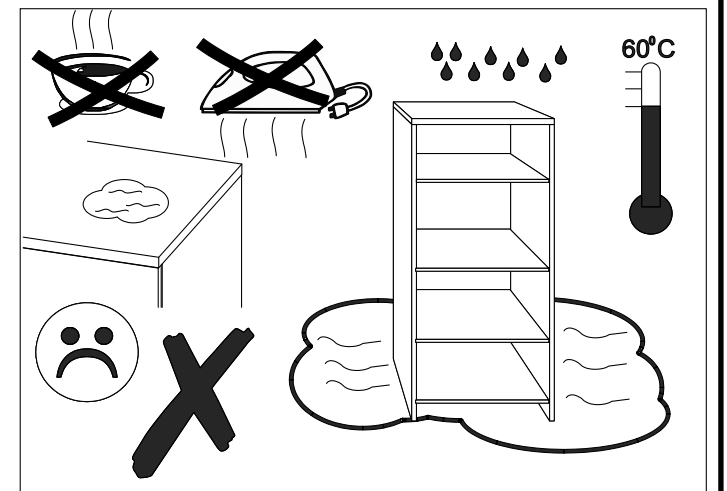
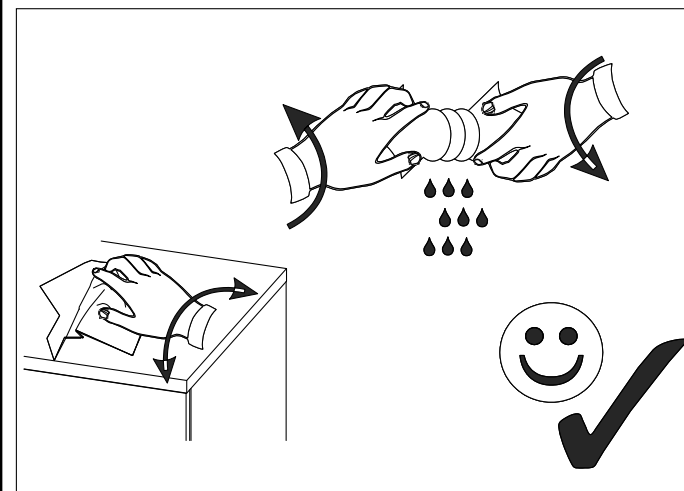
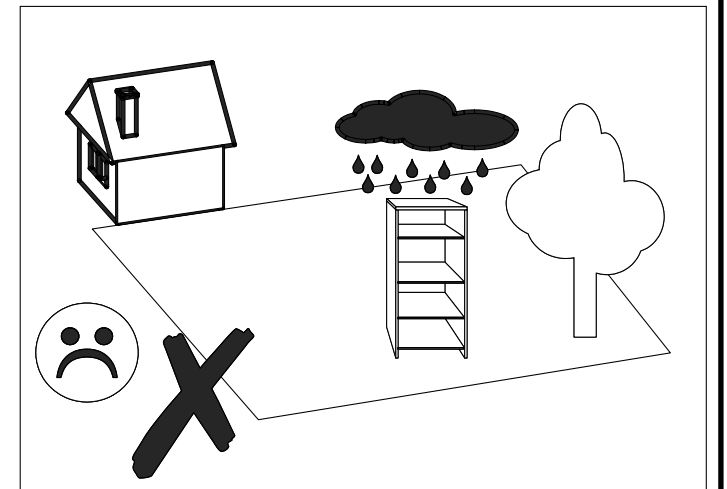
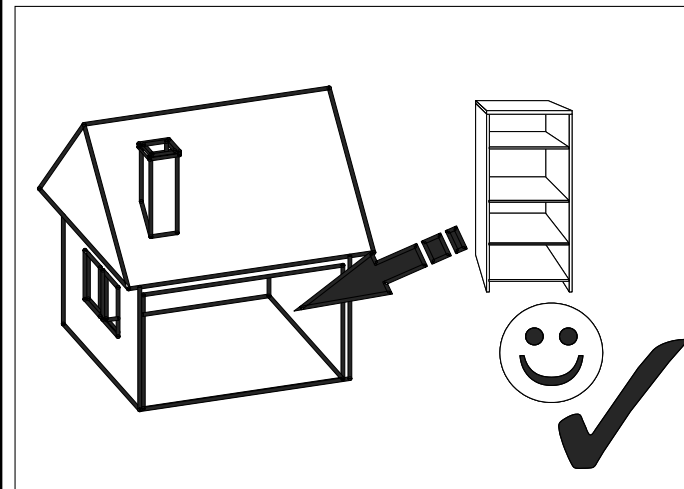
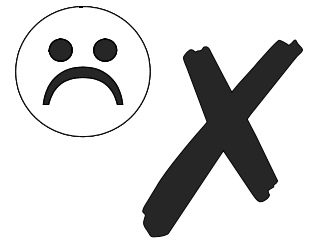
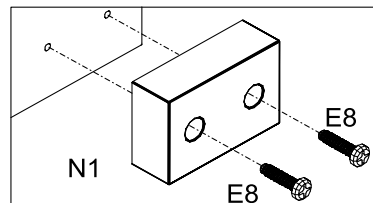
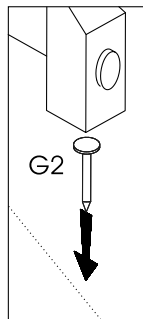
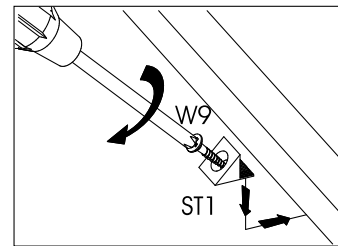
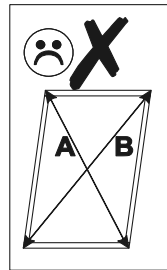
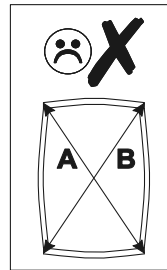
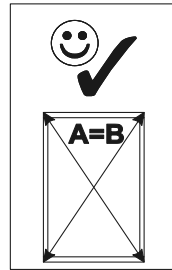
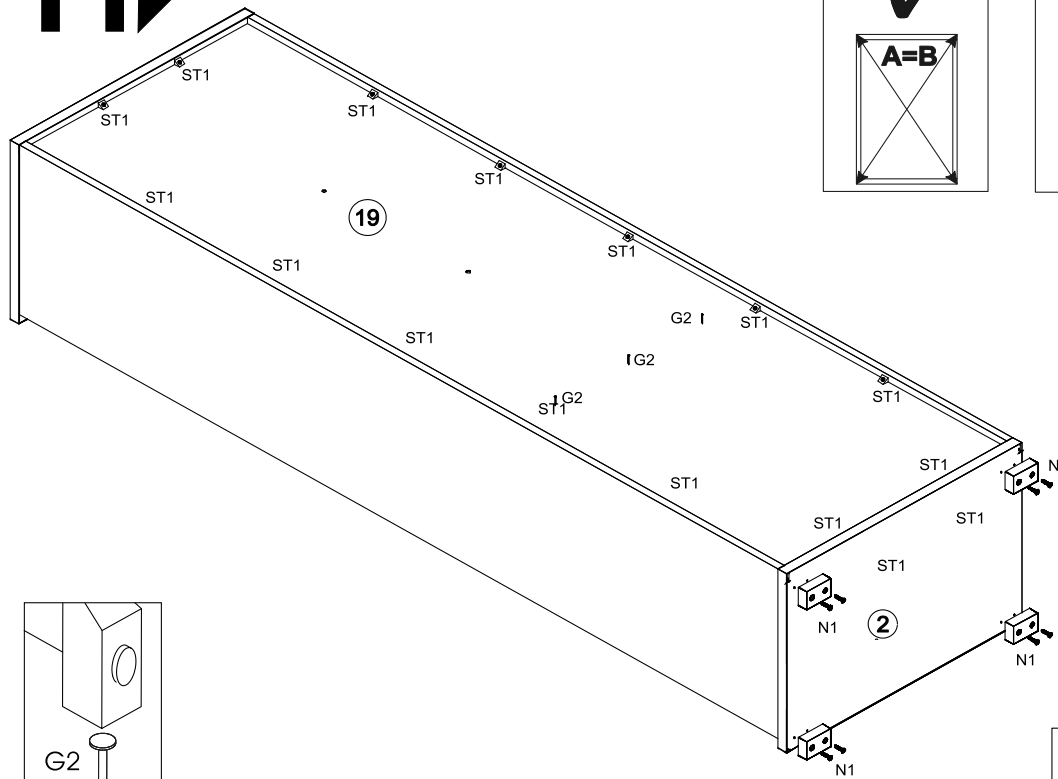


10

Y5

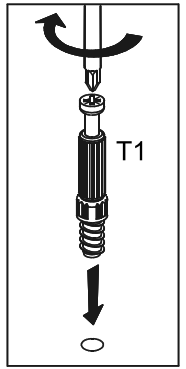
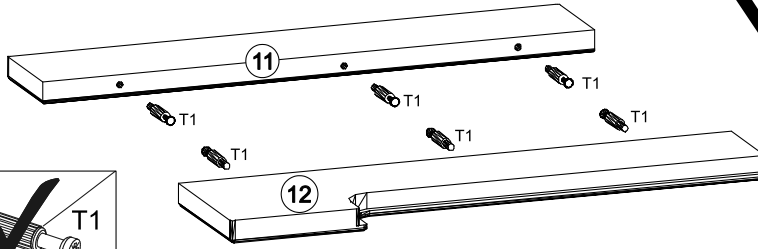
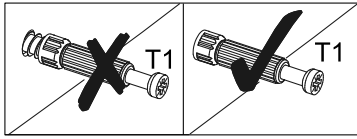


11

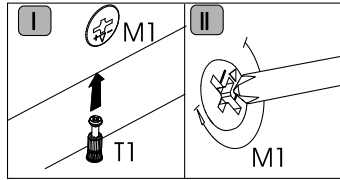
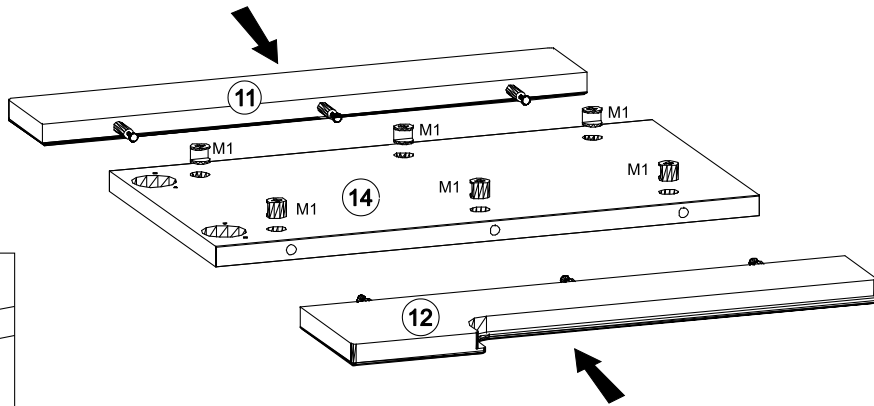
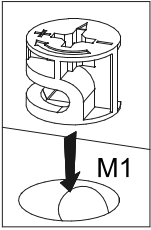


2

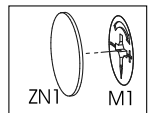
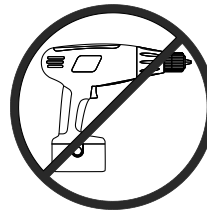
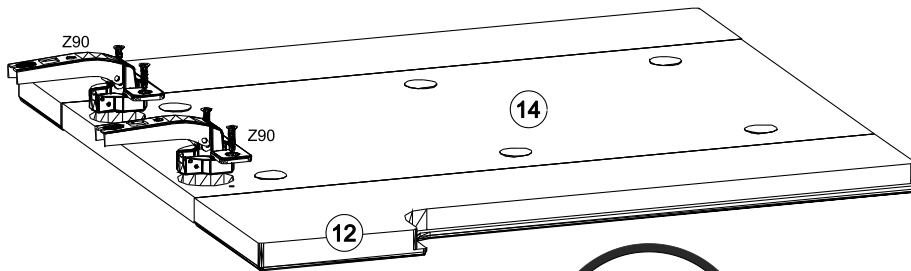
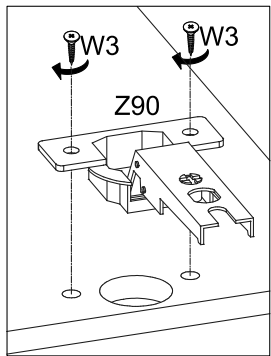
Y5



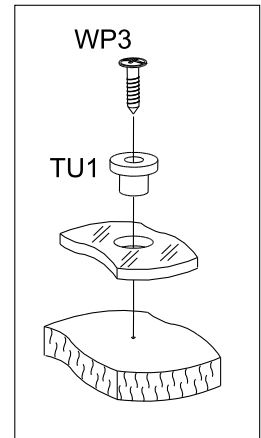
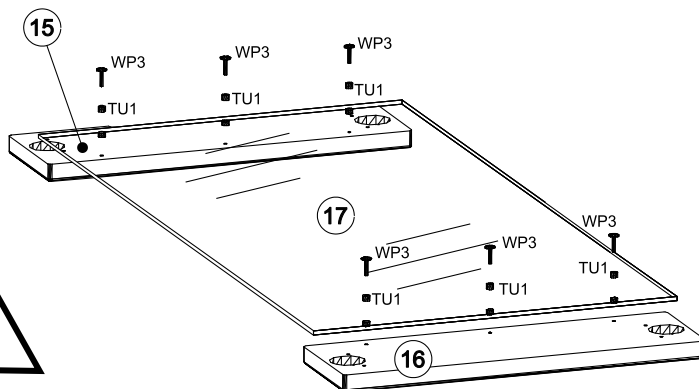
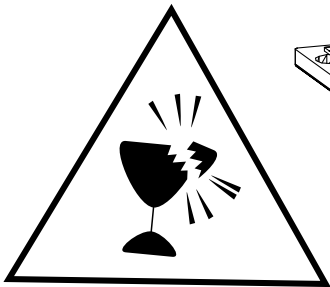
3



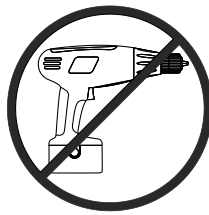
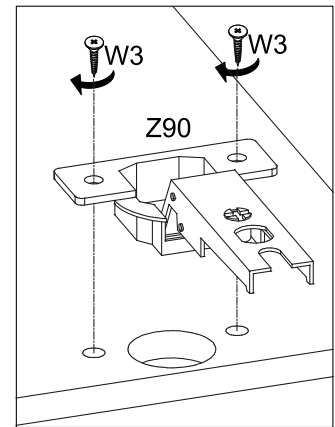
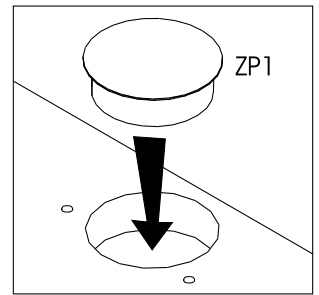
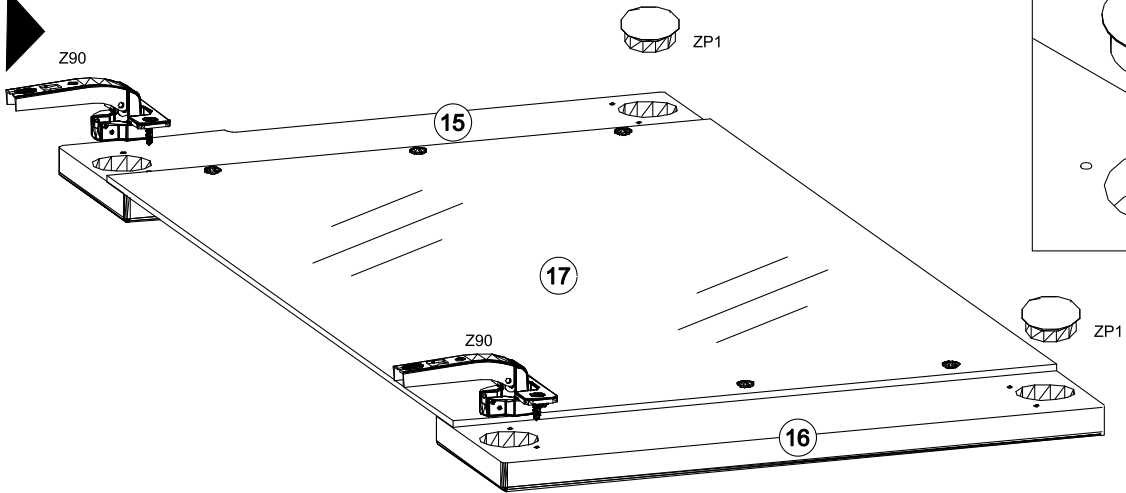
4



5



6



7

