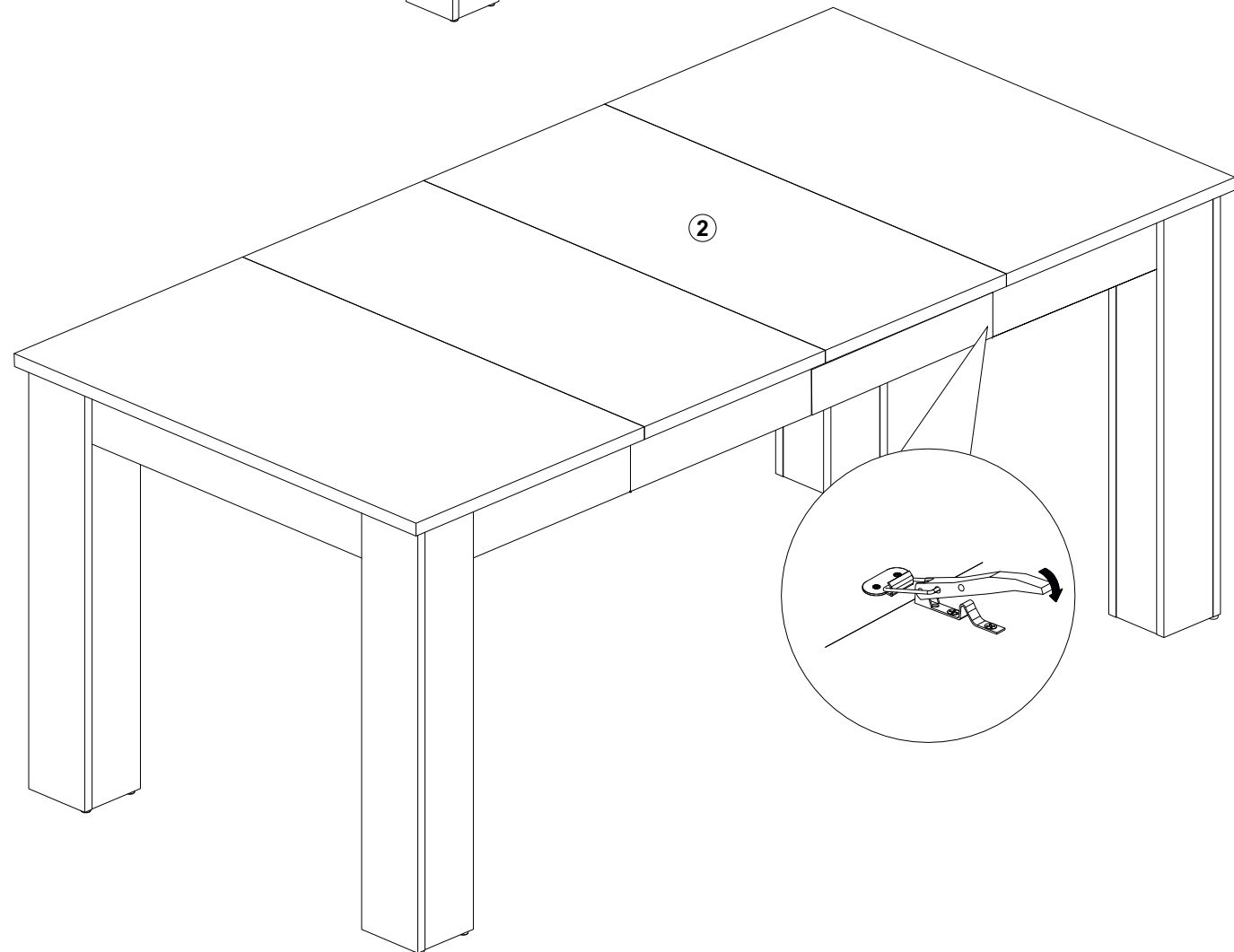
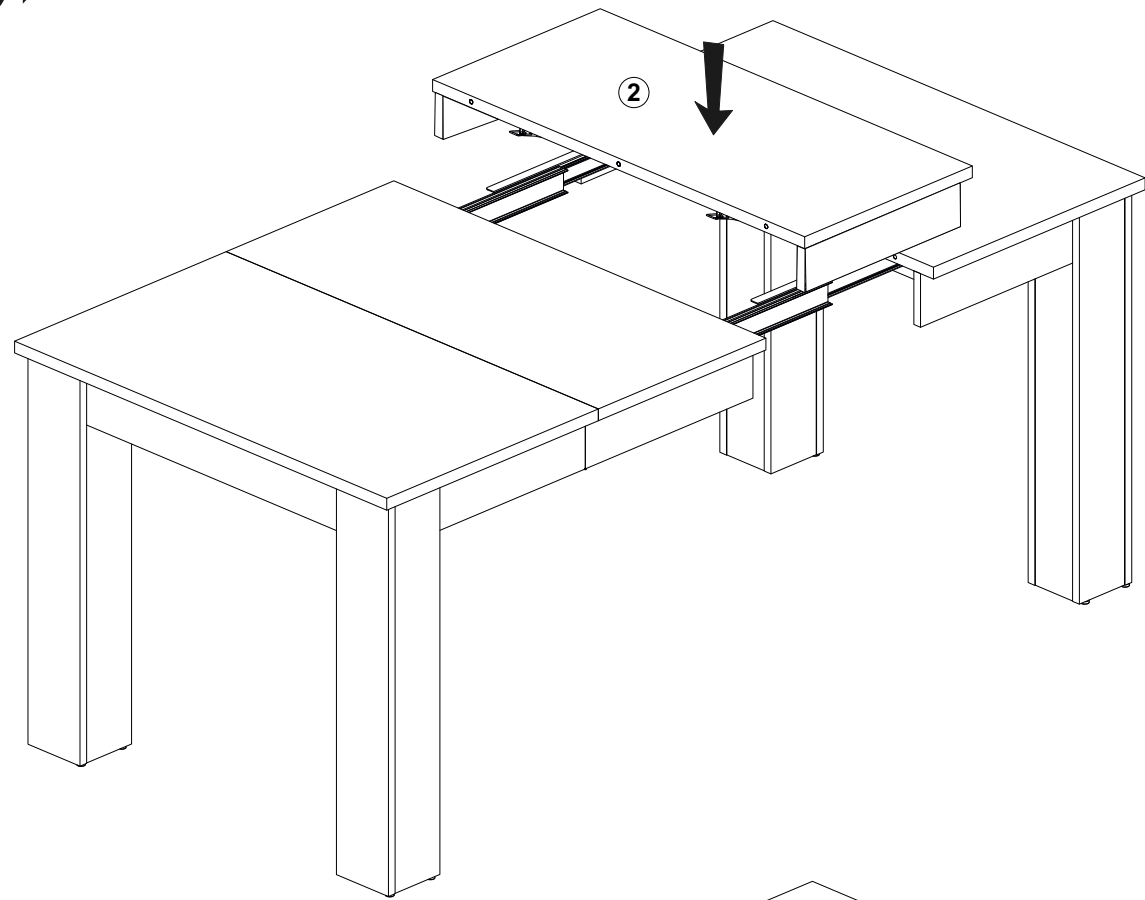
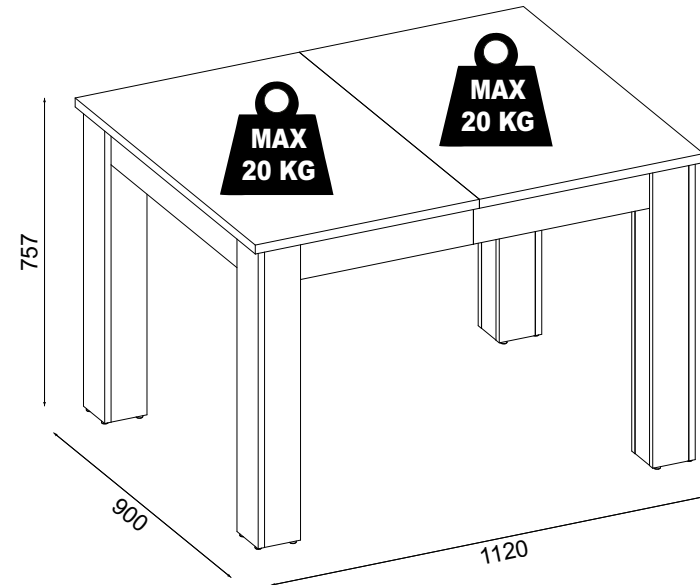
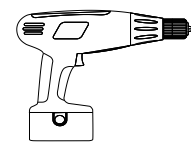
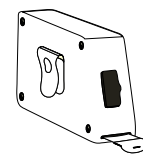
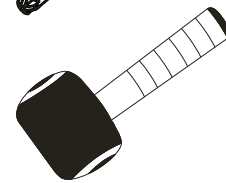
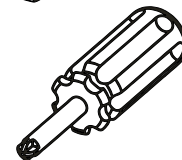
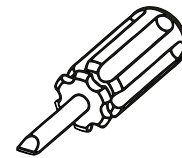
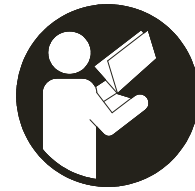


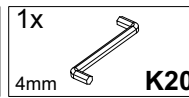
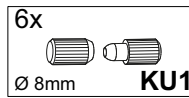
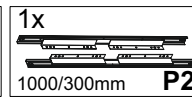
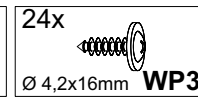
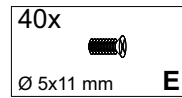
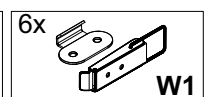
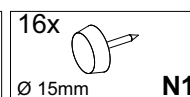
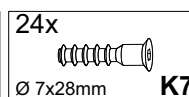
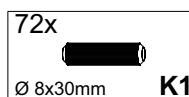
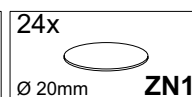
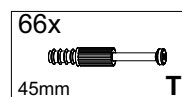
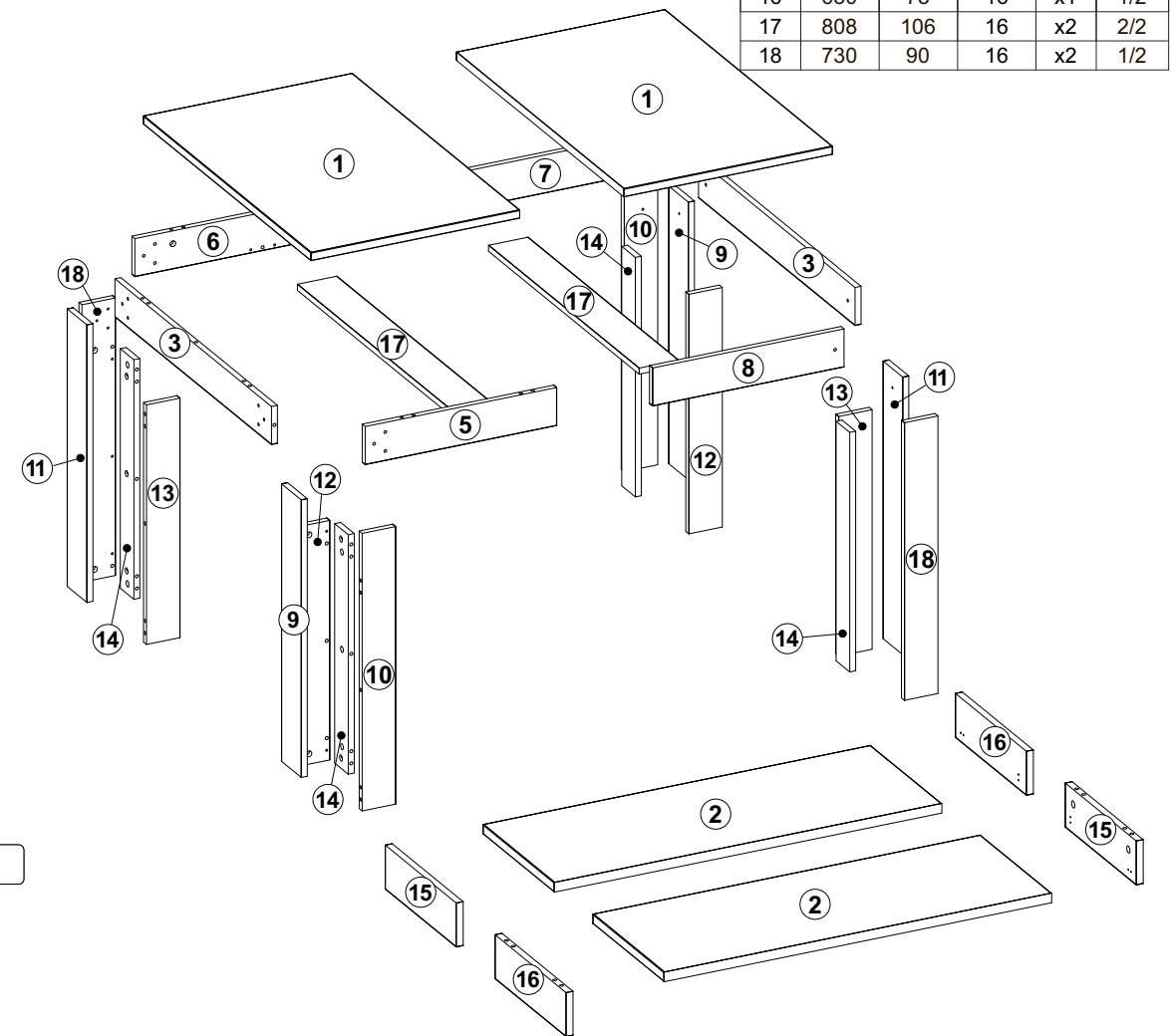
20 ▶

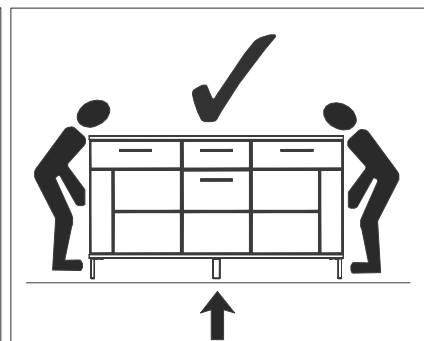
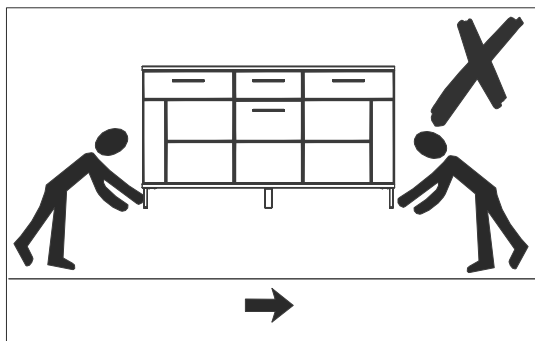
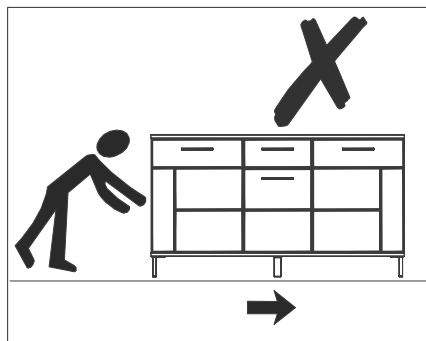
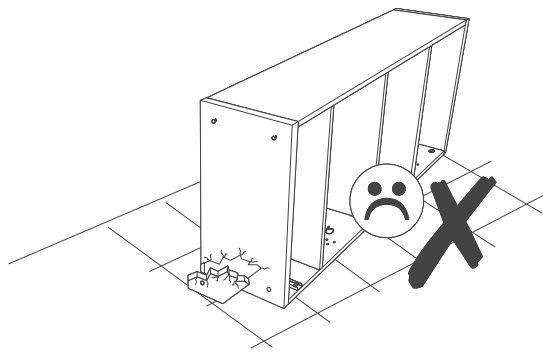
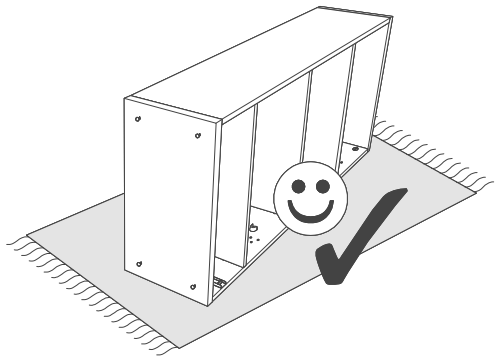
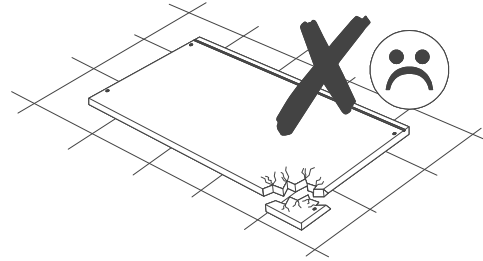
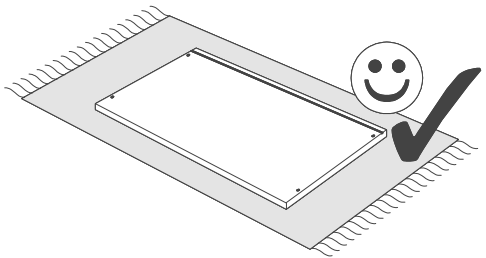
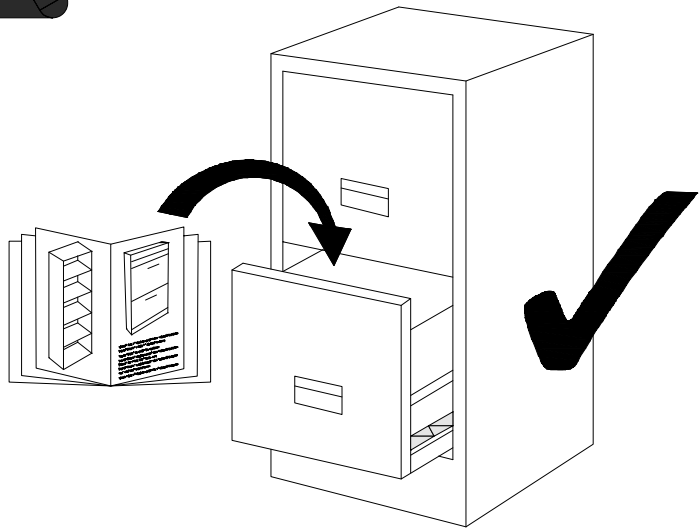
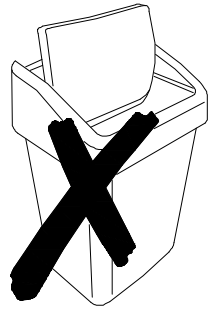


MODELL: CN17

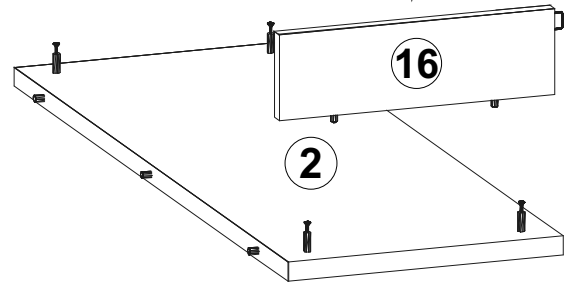
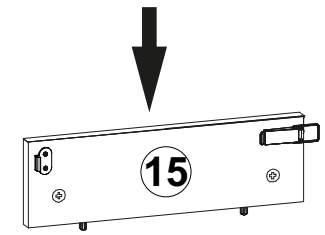
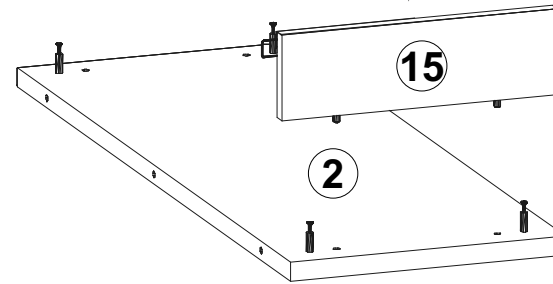
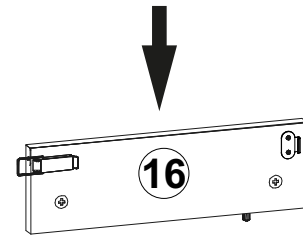
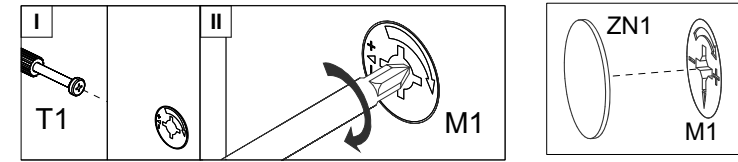


A	B (mm)		C	D
1	900	560	22	x2 2/2
2	900	330	22	x2 1/2
3	840	100	16	x2 1/2
4	514	100	16	x2 1/2
5	514	100	16	x1 2/2
6	514	100	16	x1 2/2
7	514	100	16	x1 2/2
8	514	100	16	x1 2/2
9	730	106	16	x2 1/2
10	730	90	16	x2 1/2
11	730	106	16	x2 1/2
12	730	90	16	x2 1/2
13	630	90	16	x4 1/2
14	630	73	16	x4 1/2
15	630	90	16	x1 1/2
16	630	73	16	x1 1/2
17	808	106	16	x2 2/2
18	730	90	16	x2 1/2

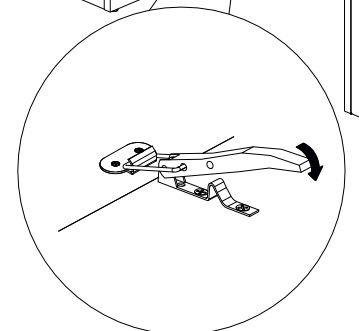
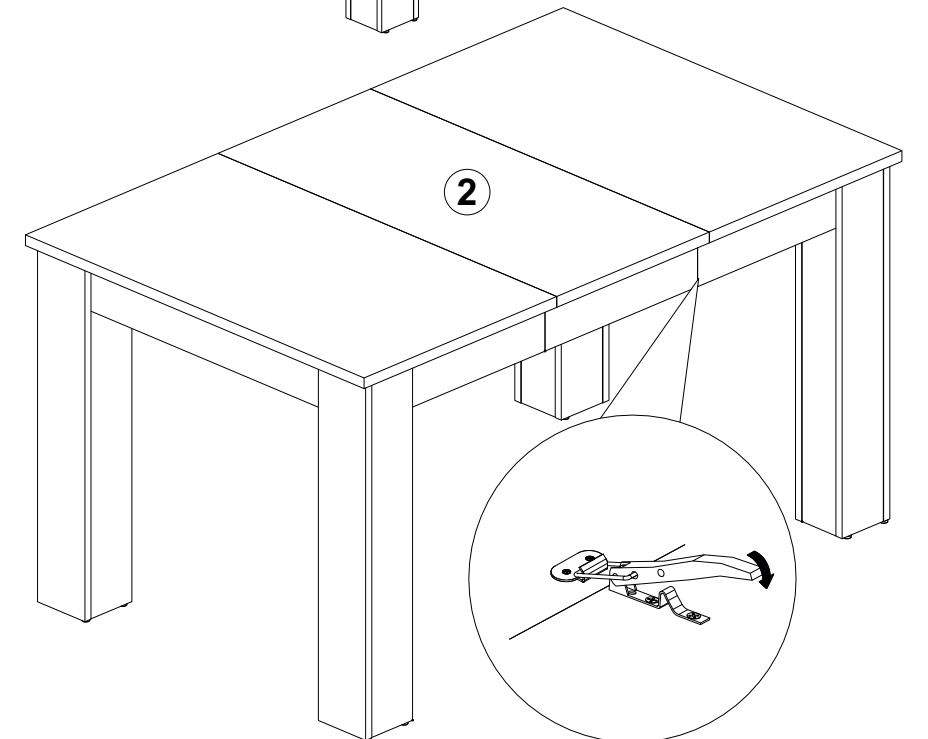
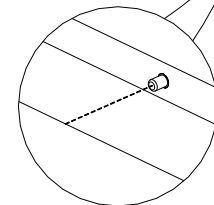
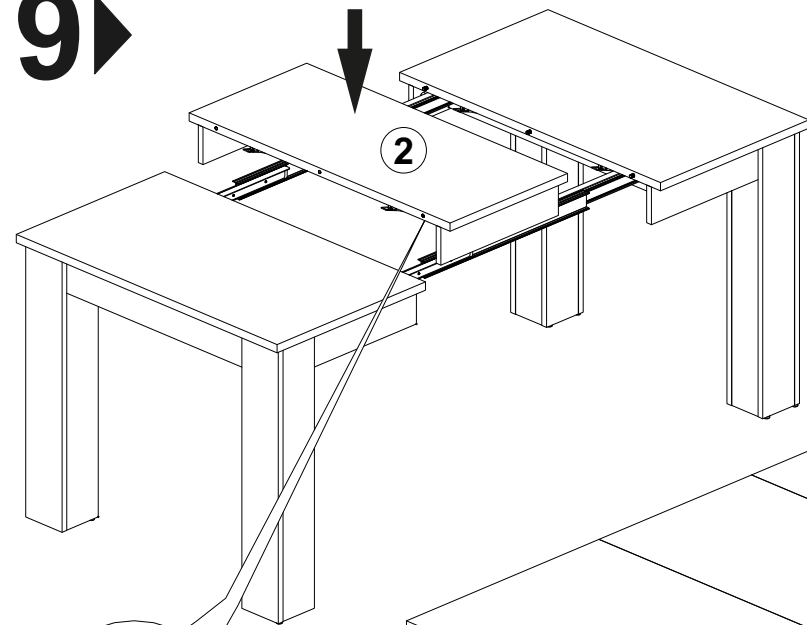




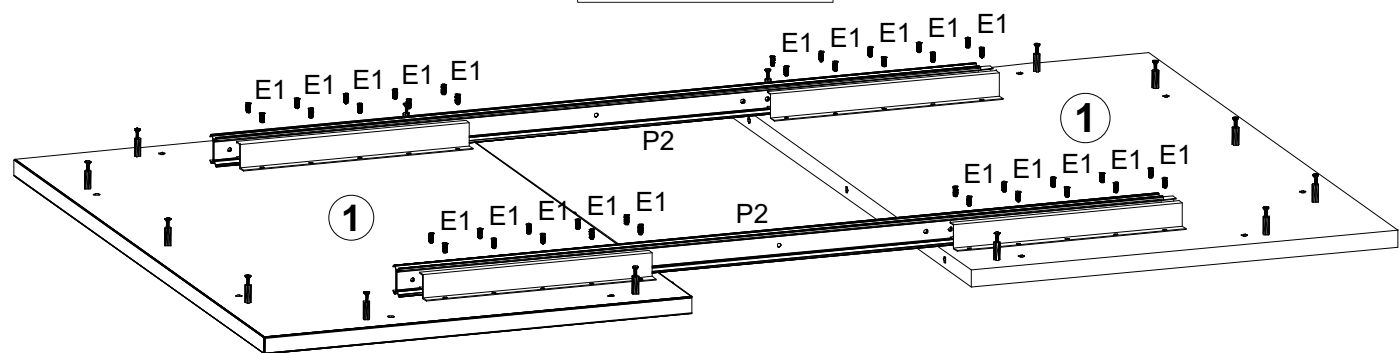
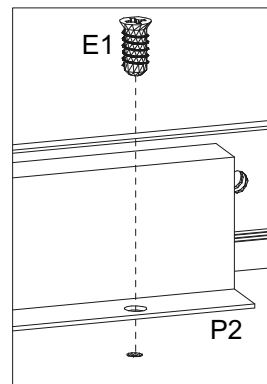
18▶



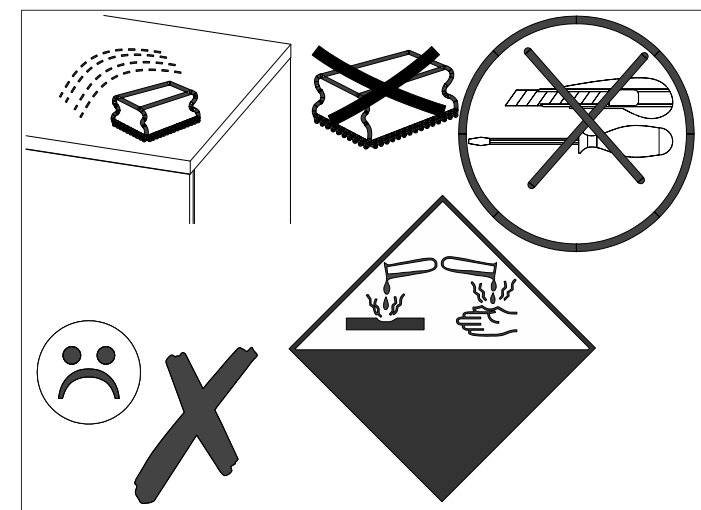
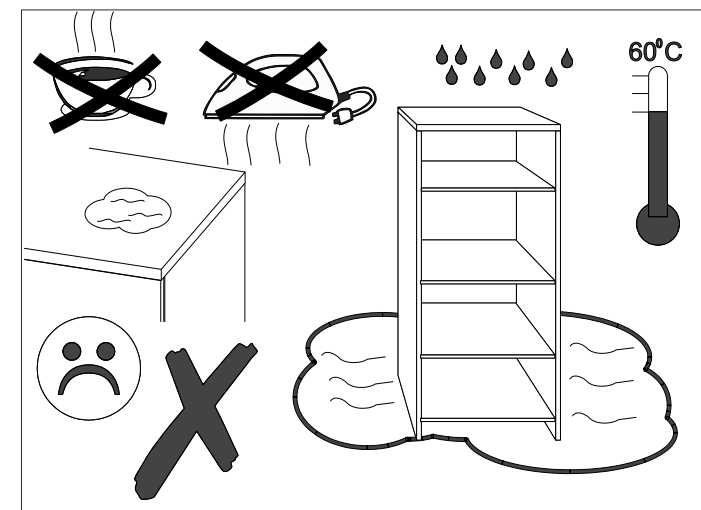
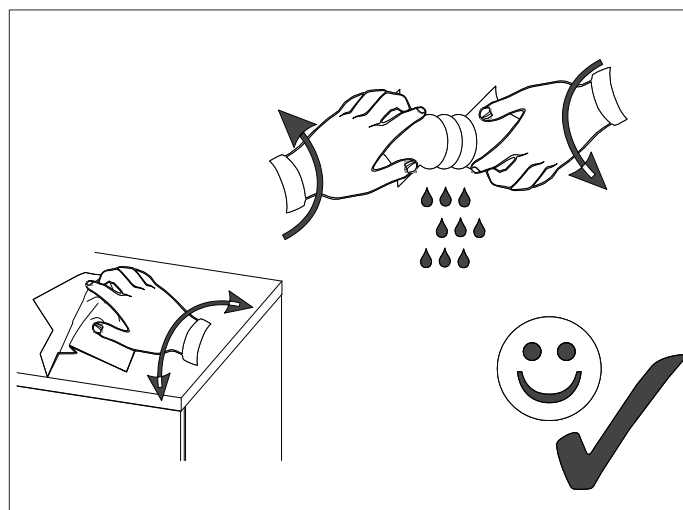
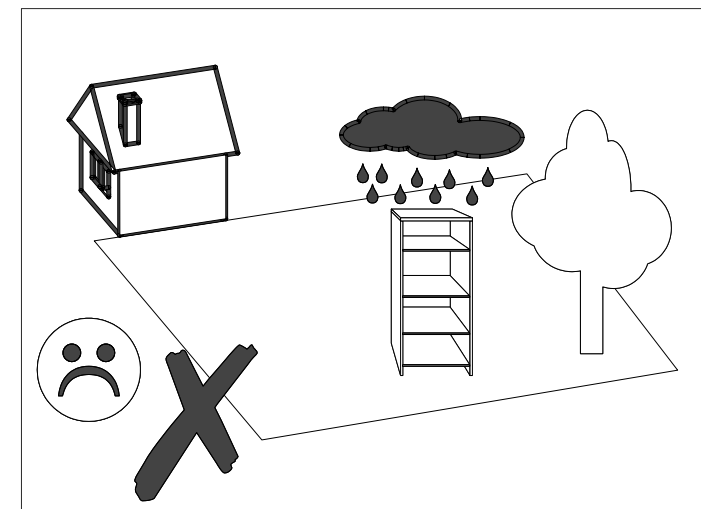
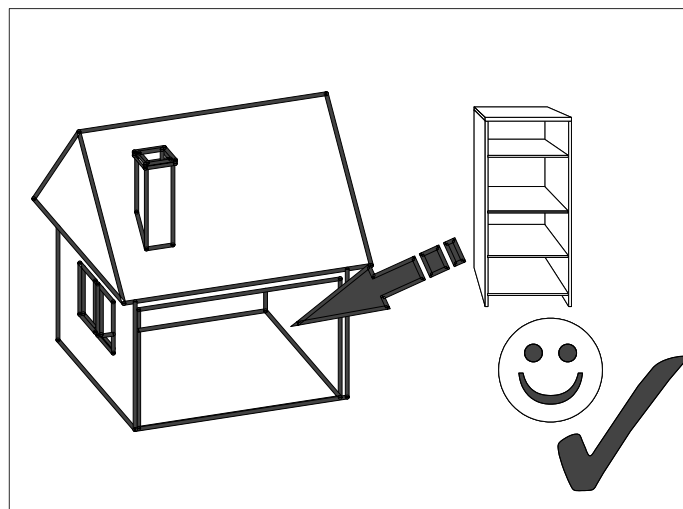
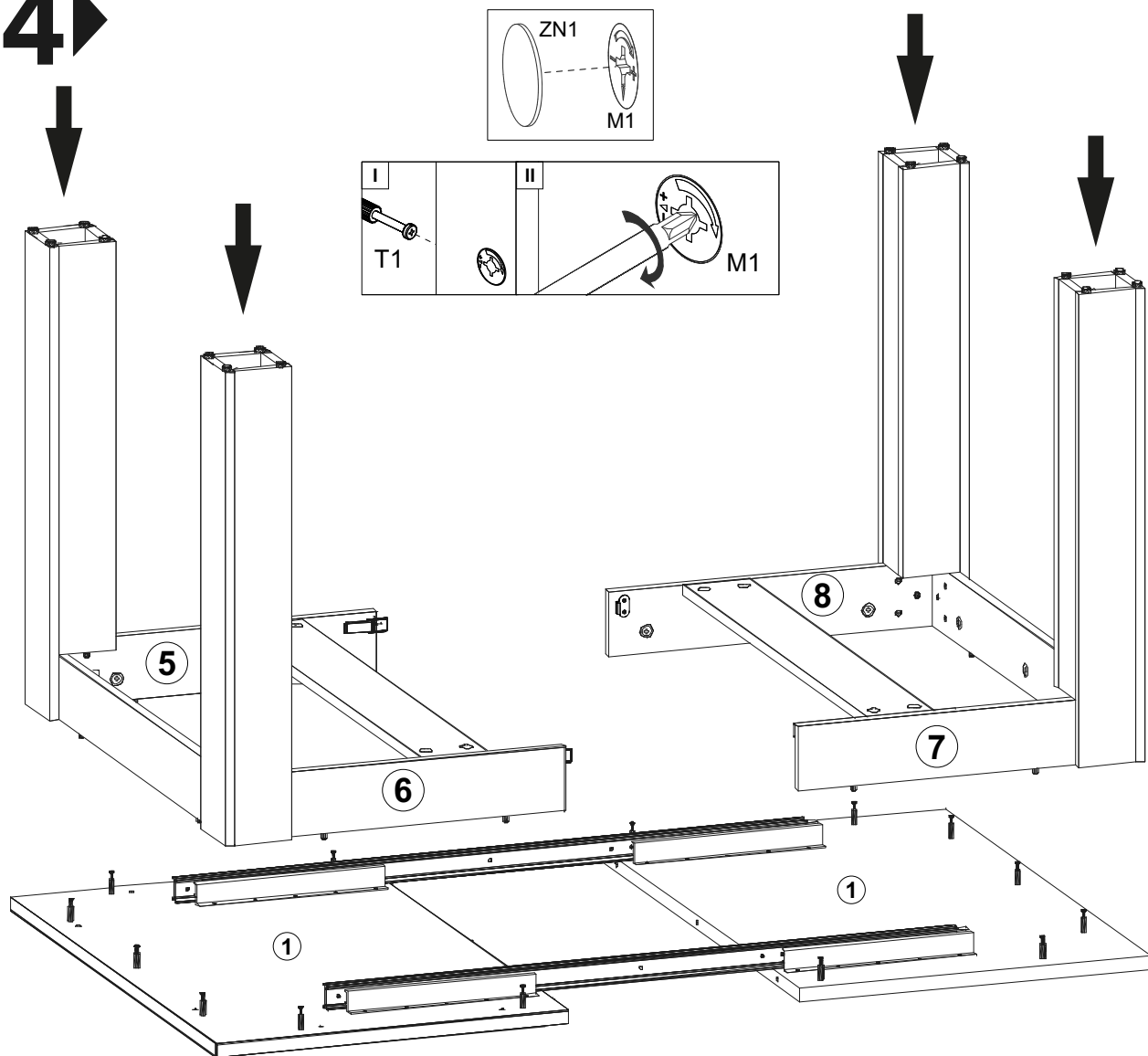
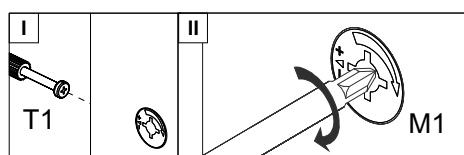
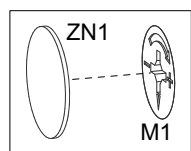
19▶

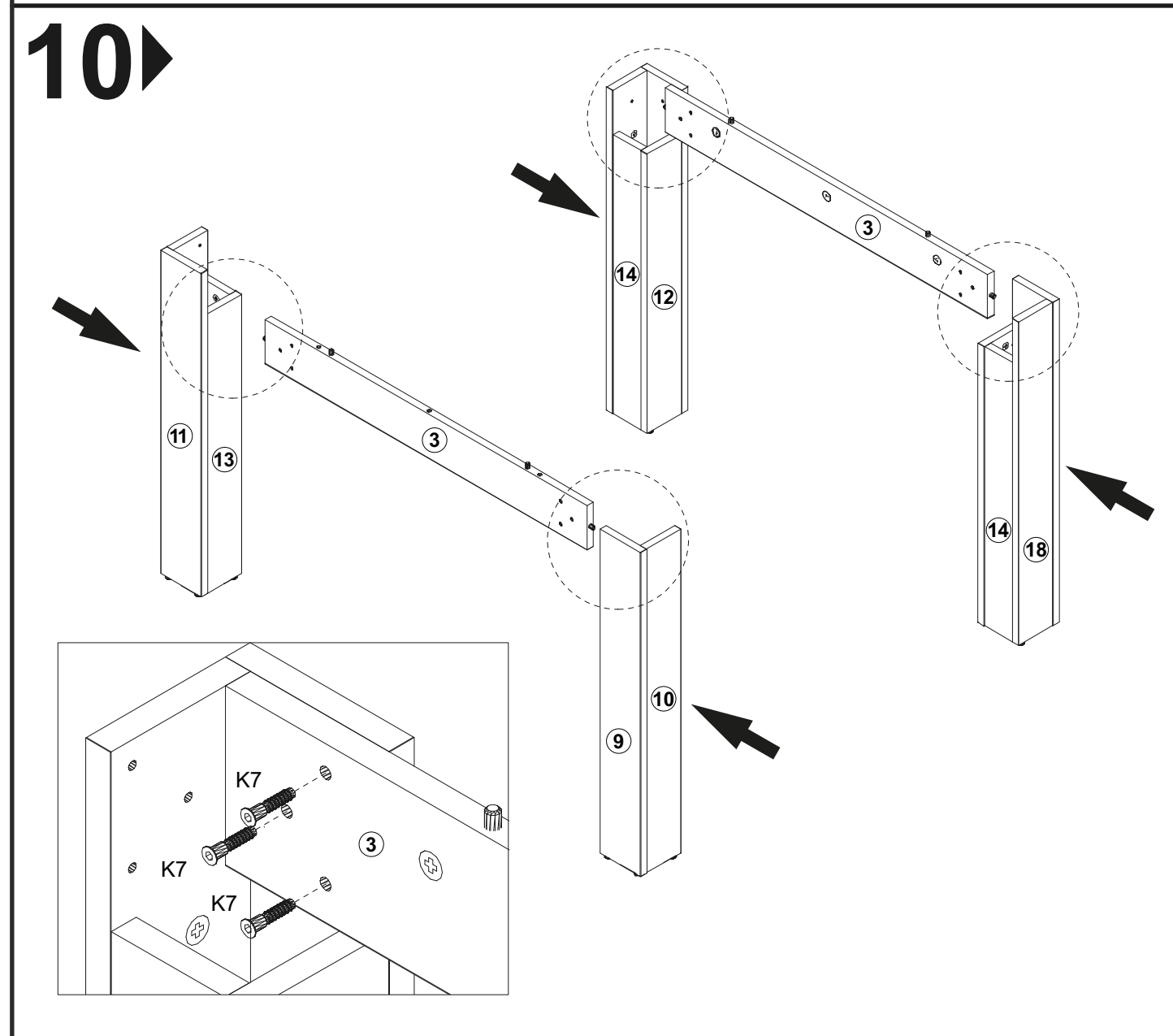
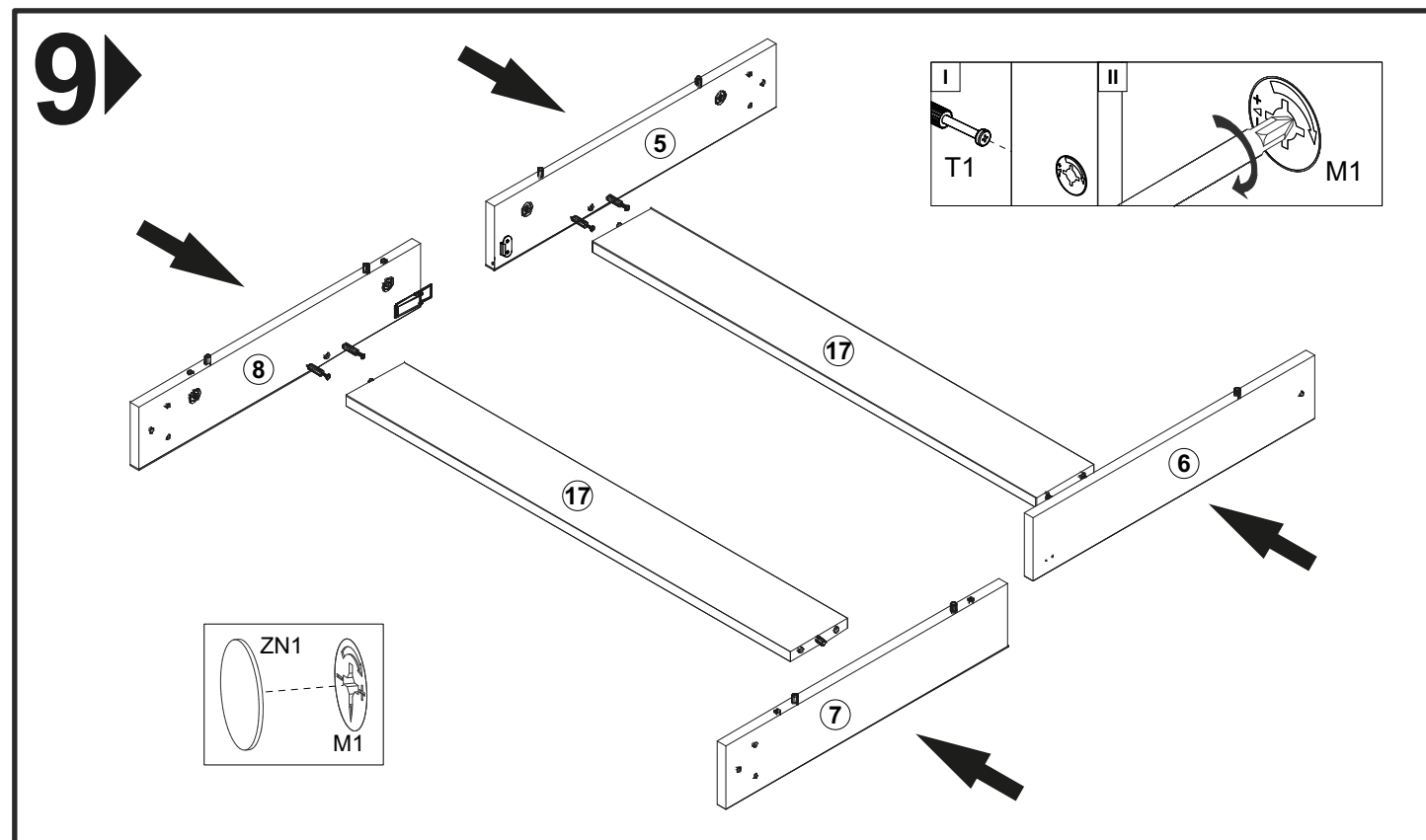
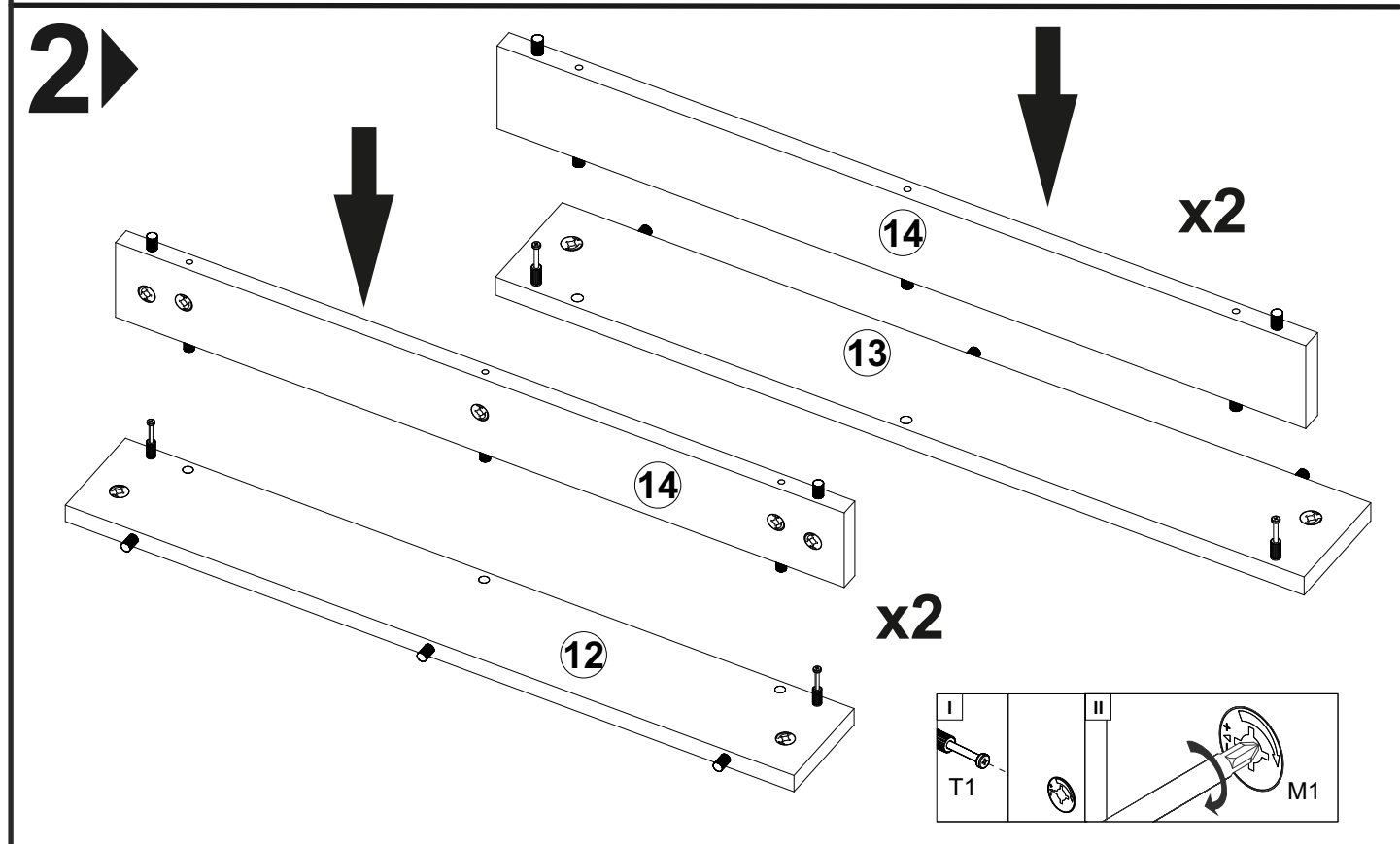
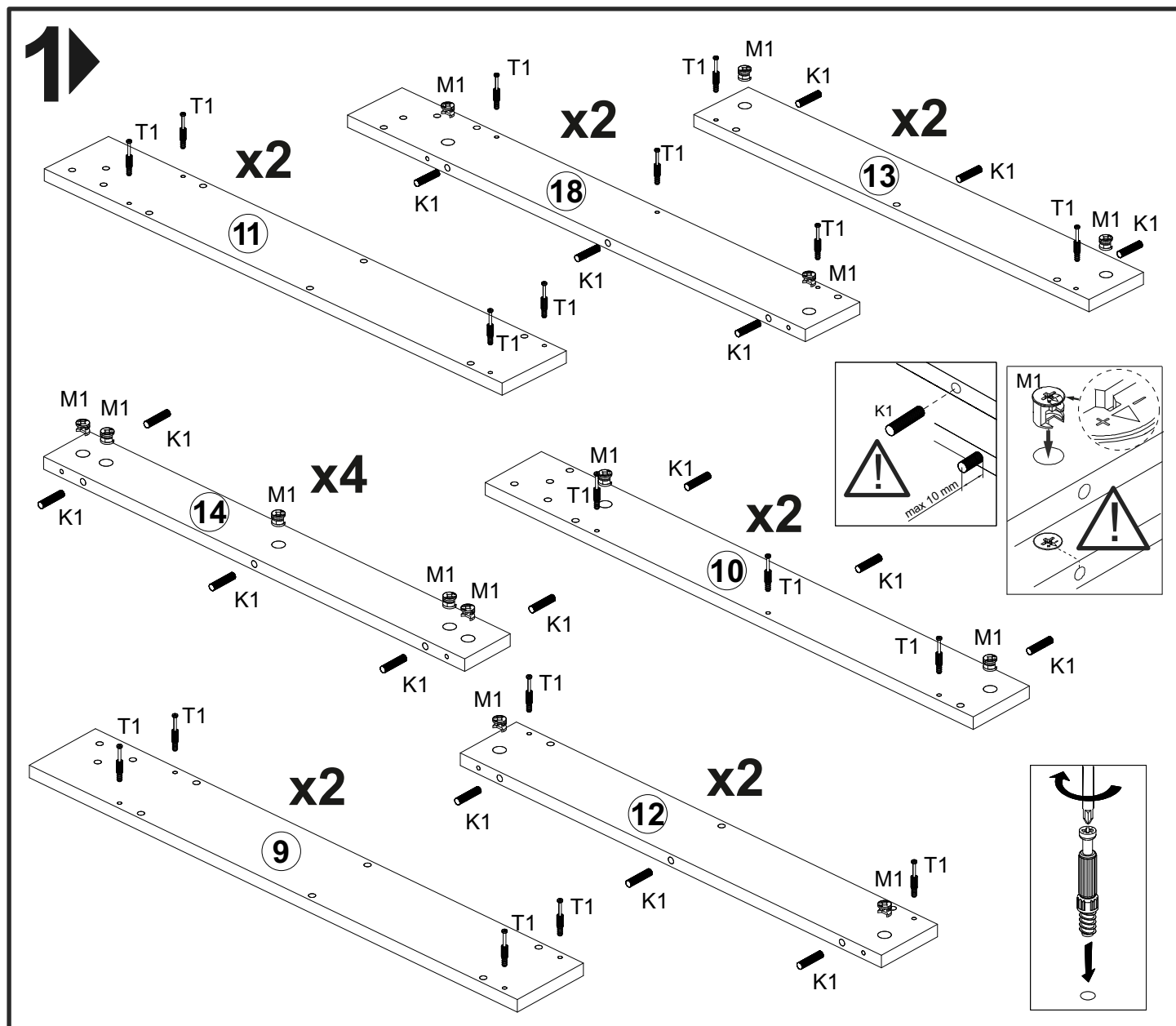


13▶

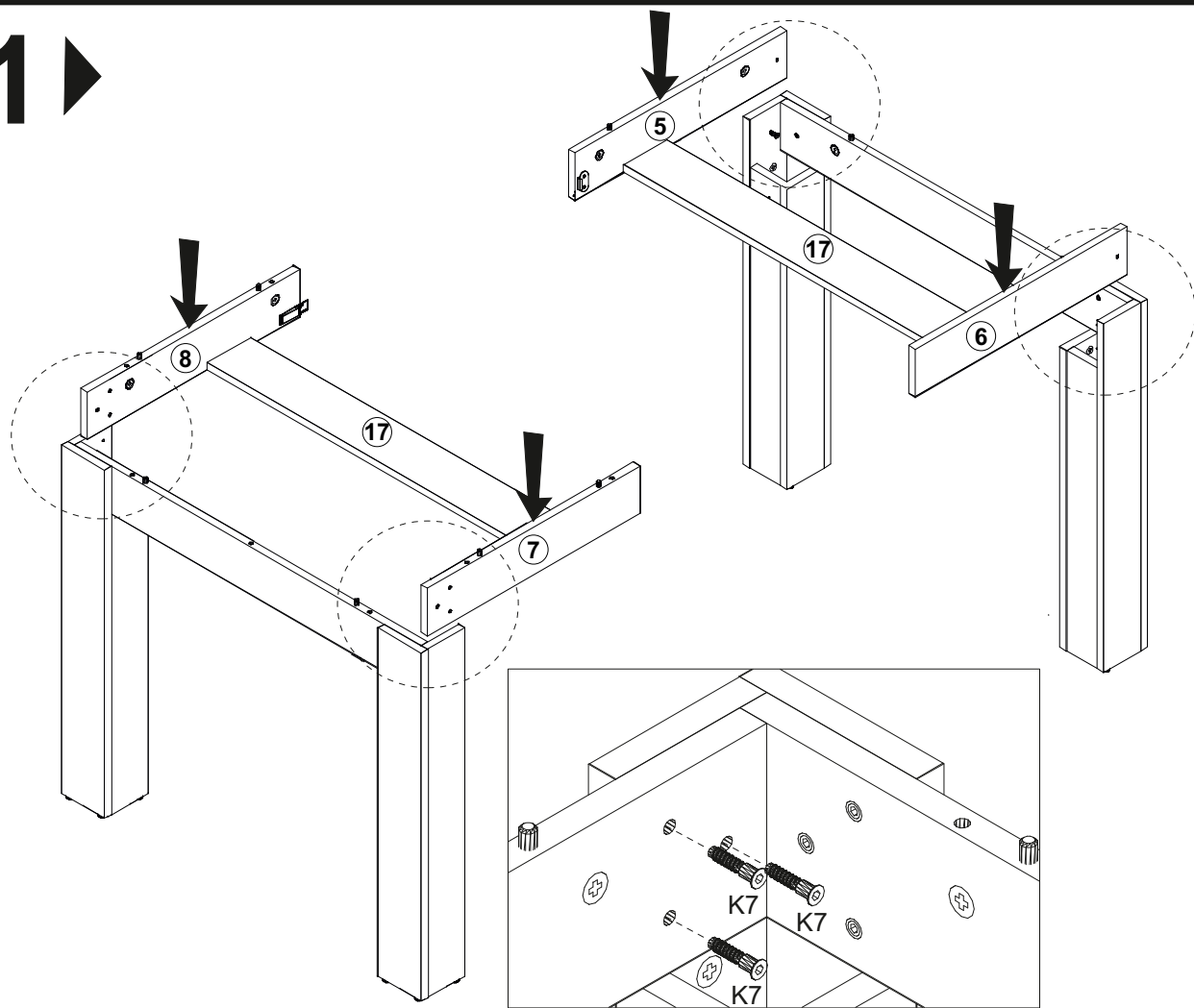


14▶

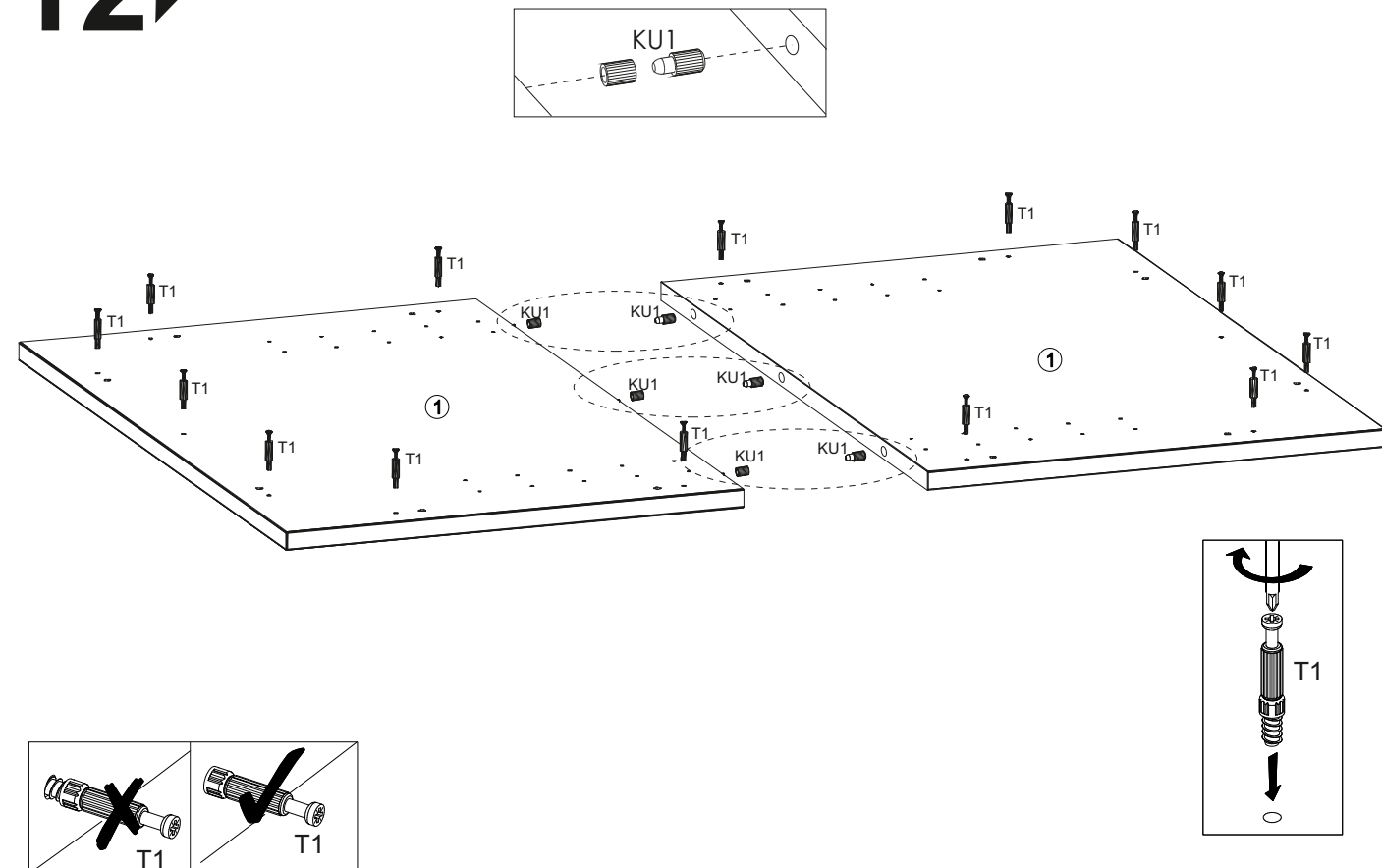




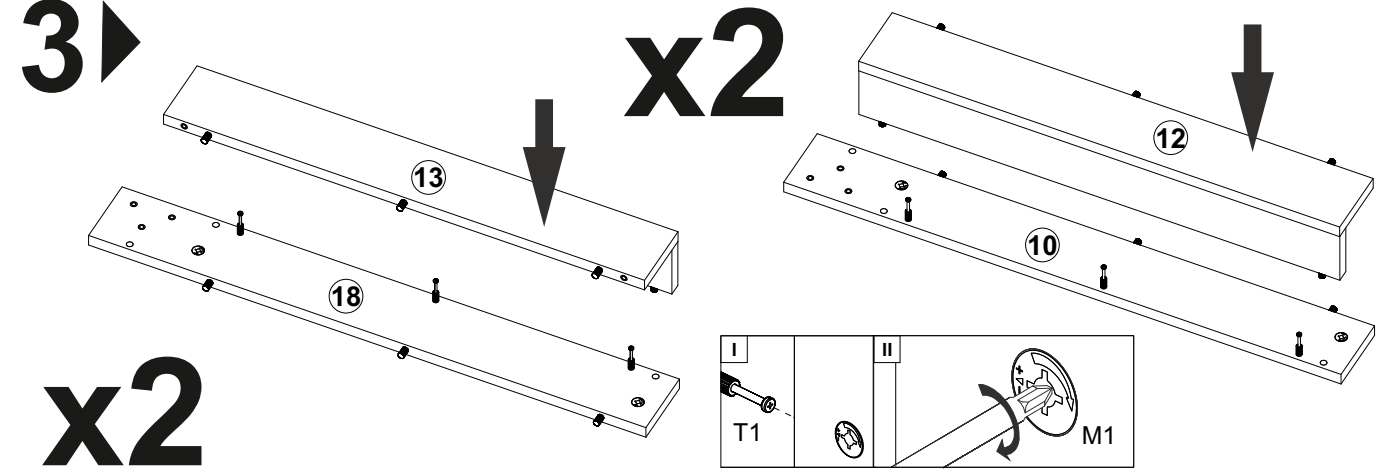
11 ▶



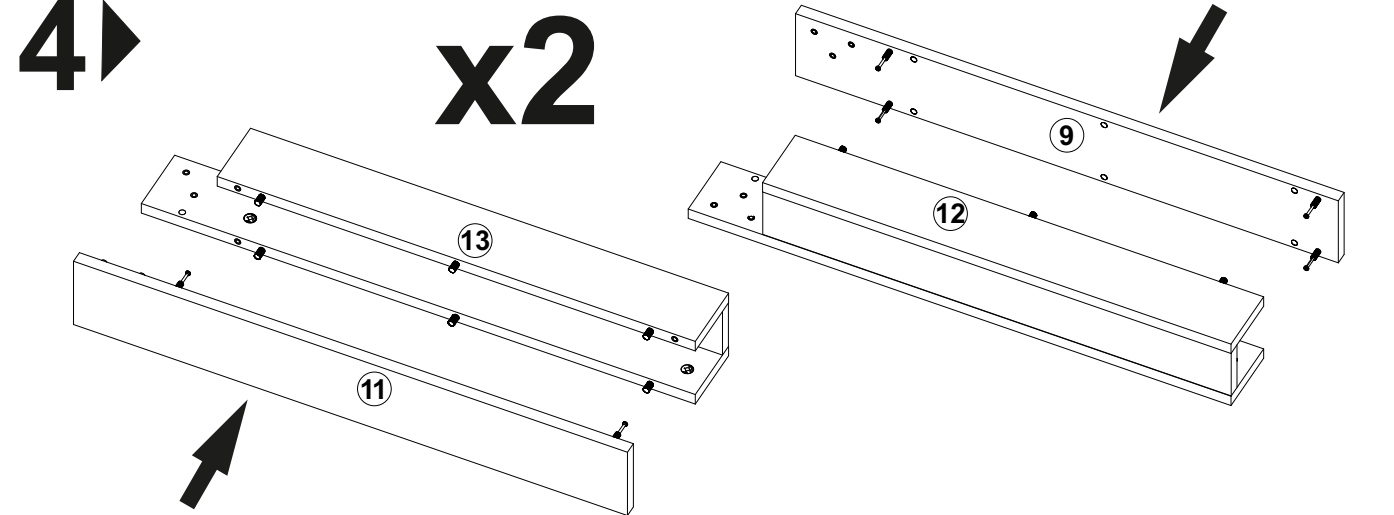
12 ▶



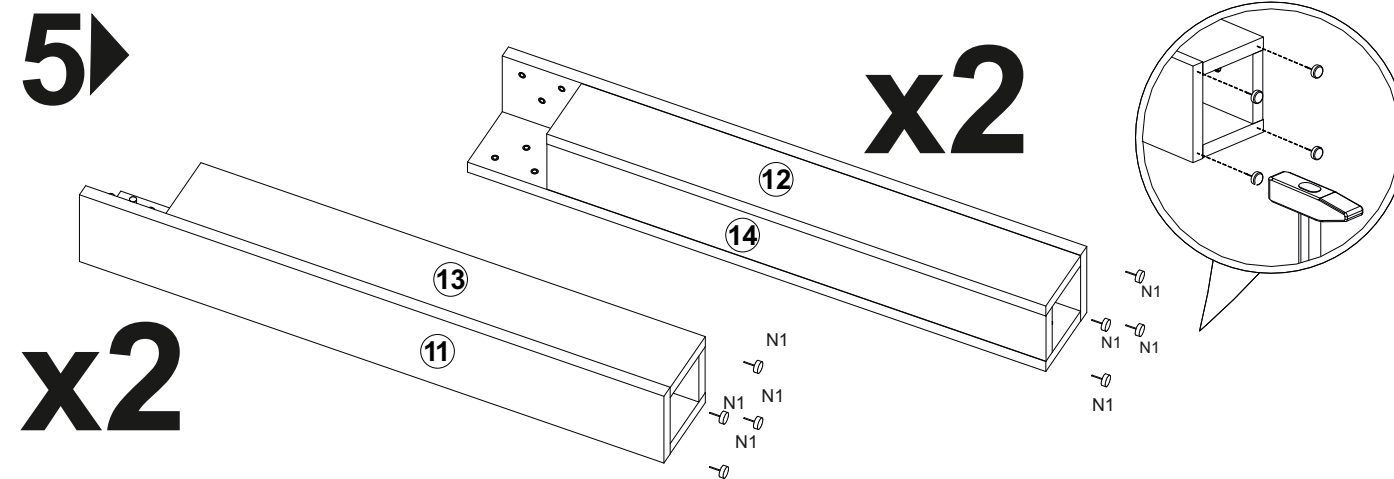
3 ▶



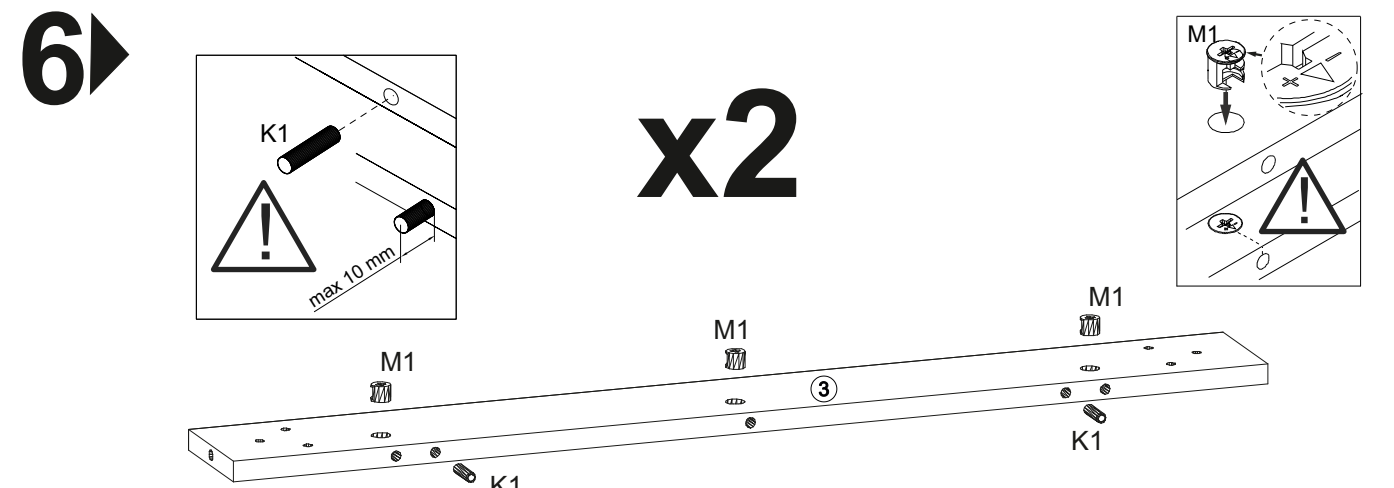
4 ▶



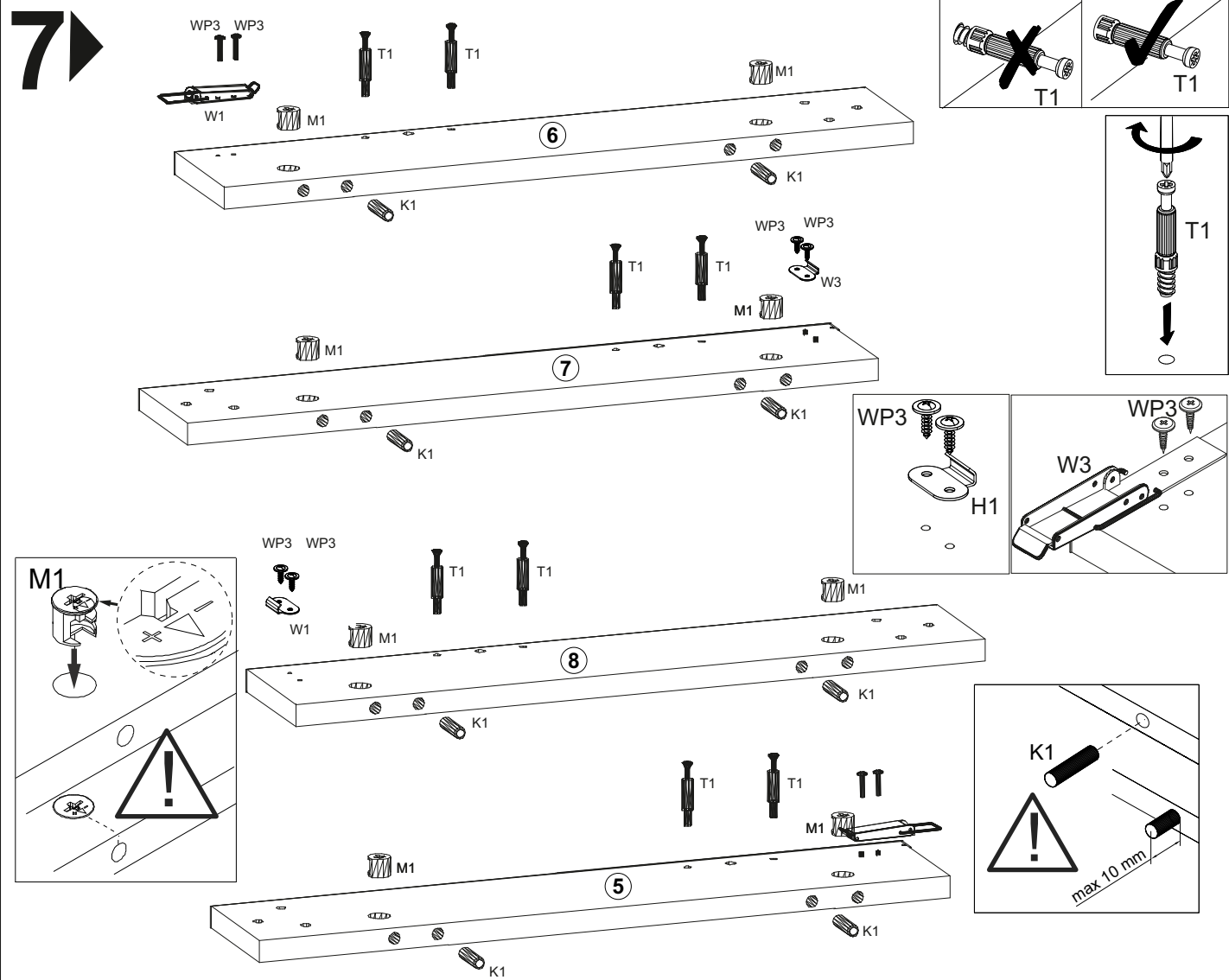
5 ▶



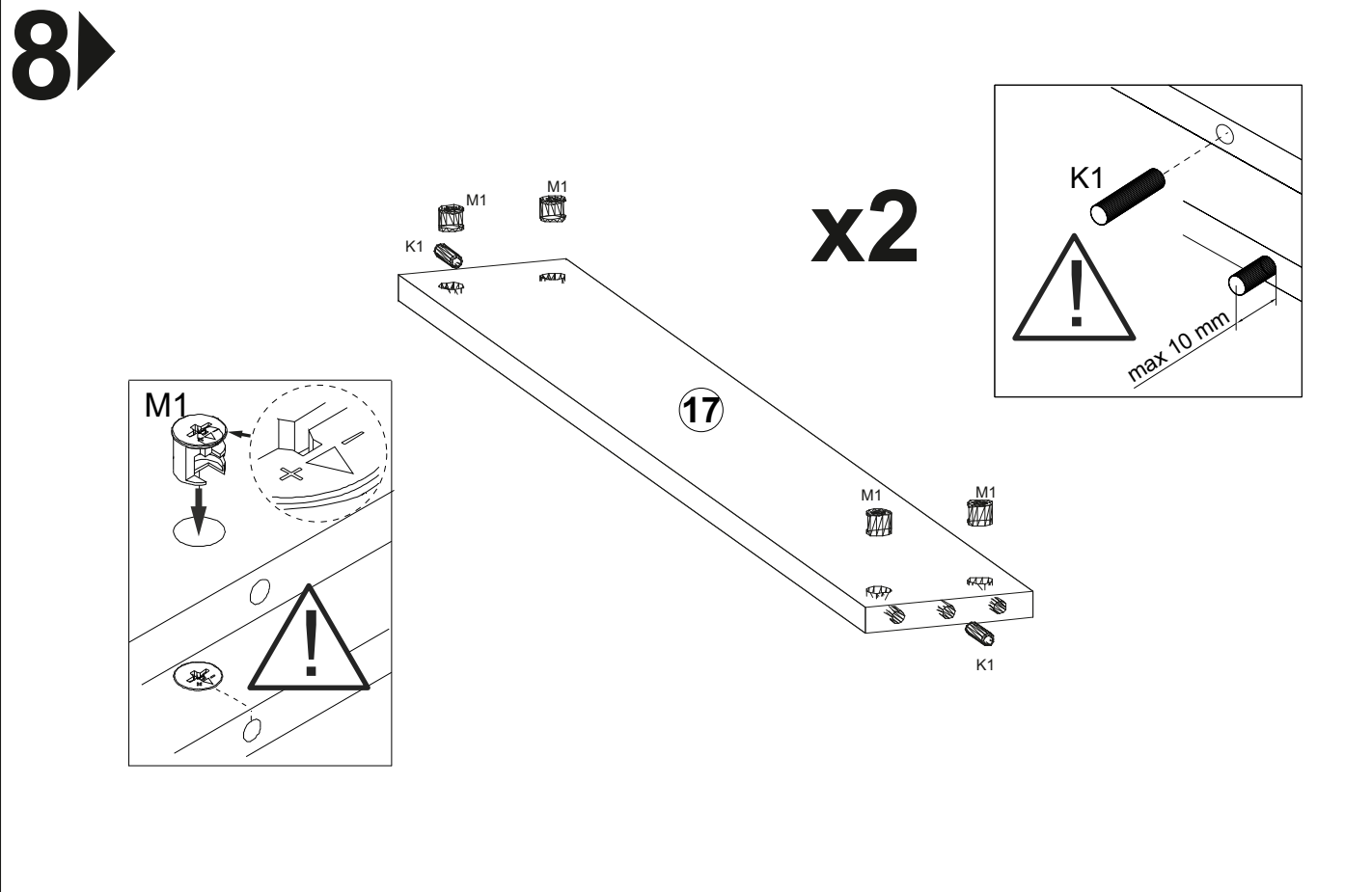
6 ▶



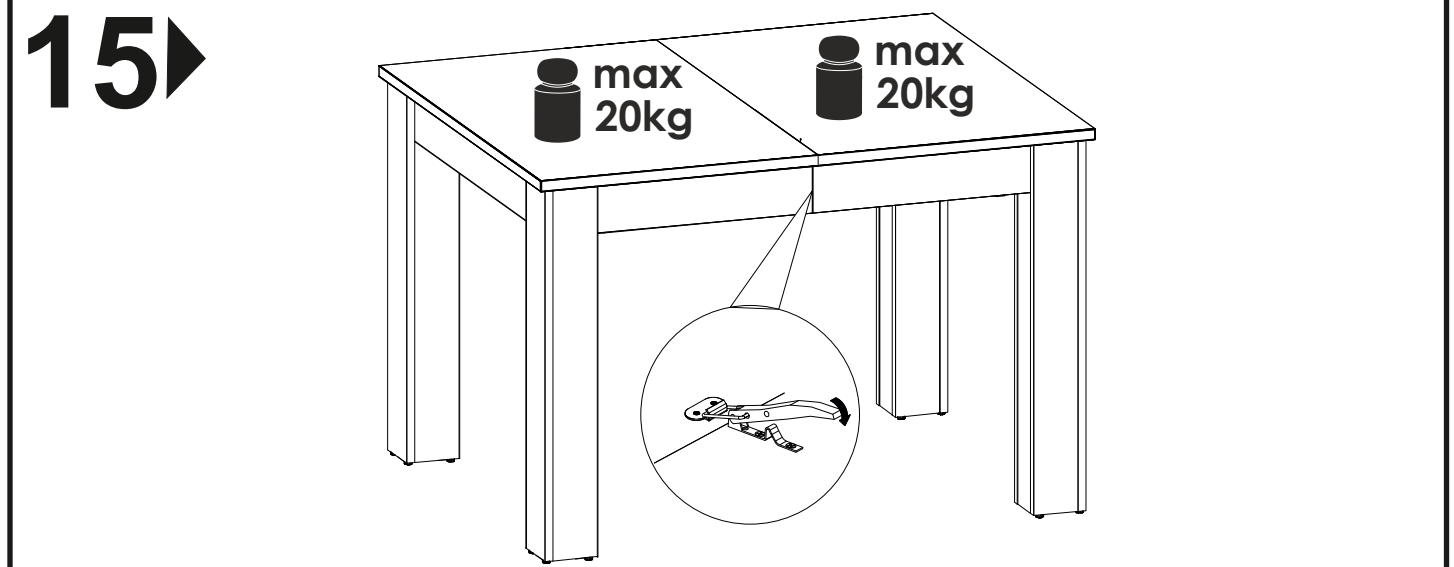
7



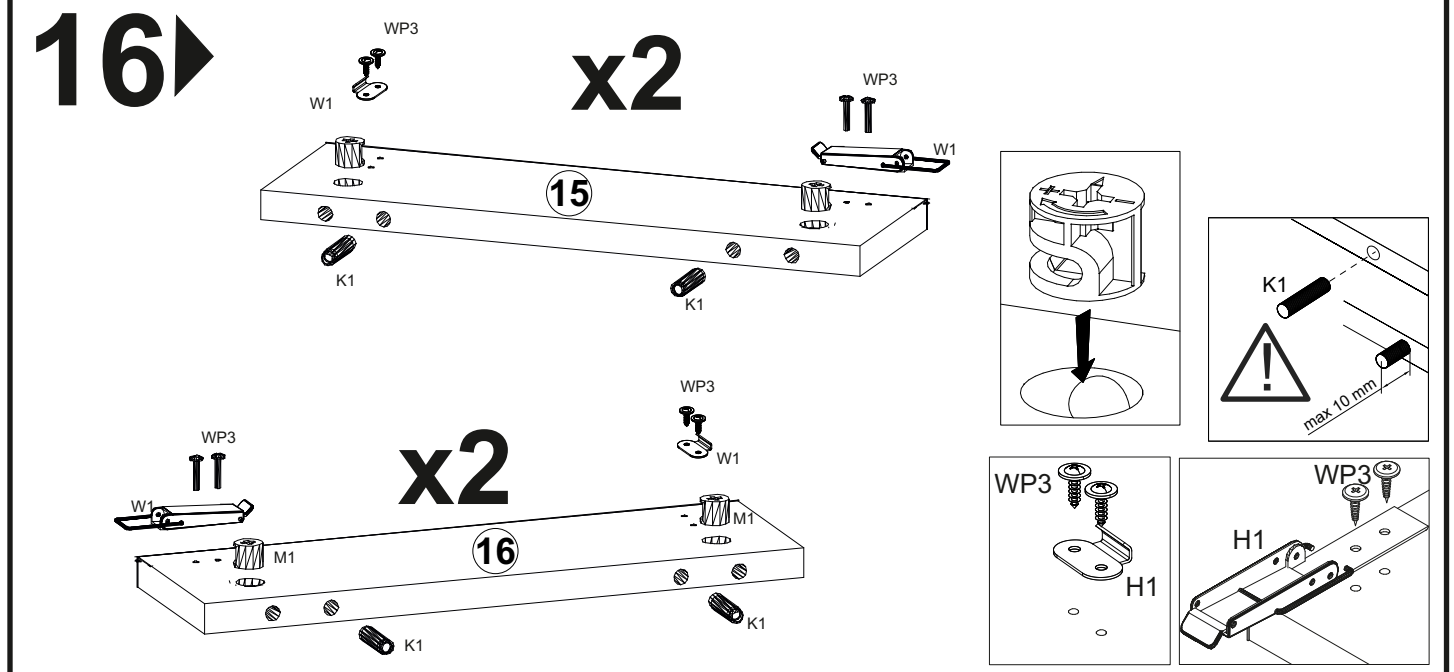
8



15



16



17

